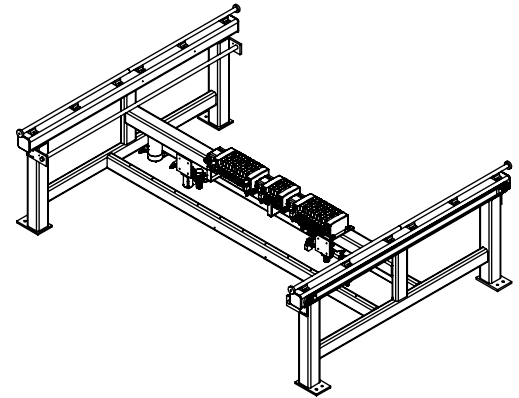
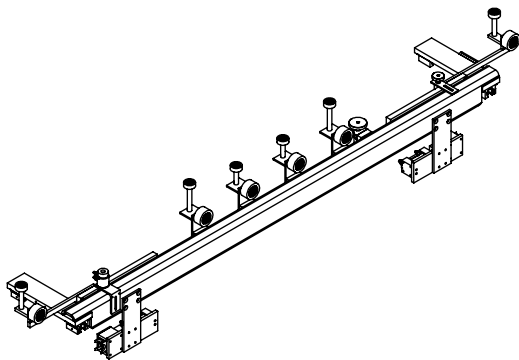


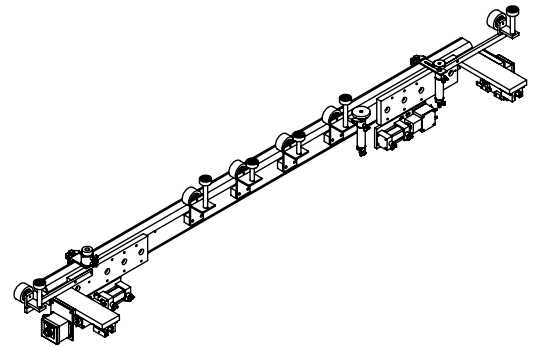
**SECTION - 1
700-DC OPT-B (AUTO SCREWDRIVER)**



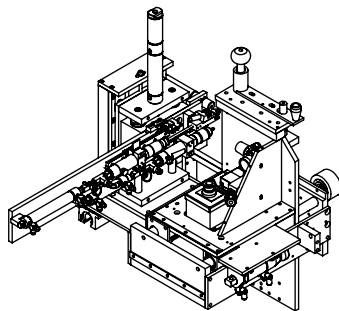
**SECTION - 2
MAIN FRAME ASSEMBLY**



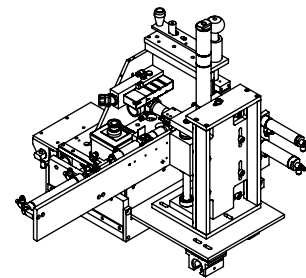
**SECTION - 3
MOVEABLE SIDE CARRIAGE**



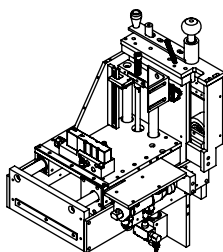
**SECTION - 4
FIXED CARRIAGE ASSEMBLY**



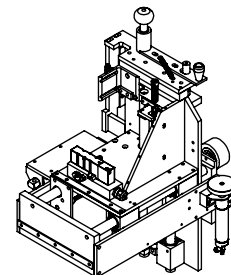
**SECTION - 5
MOVEABLE SILL HEAD ASSEMBLY**



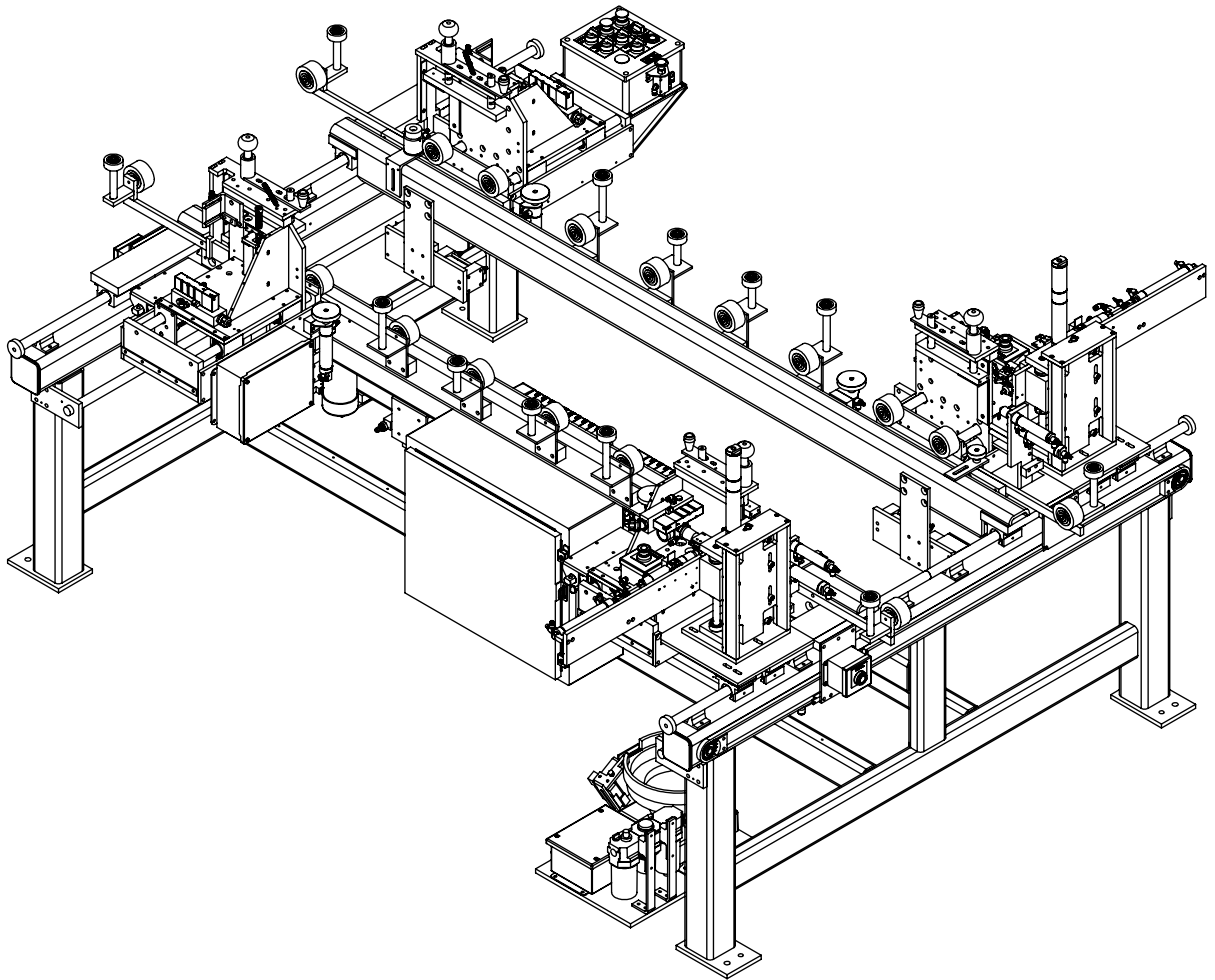
**SECTION - 6
FIXED SILL HEAD**



**SECTION - 7
MOVEABLE HEAD END HEAD**



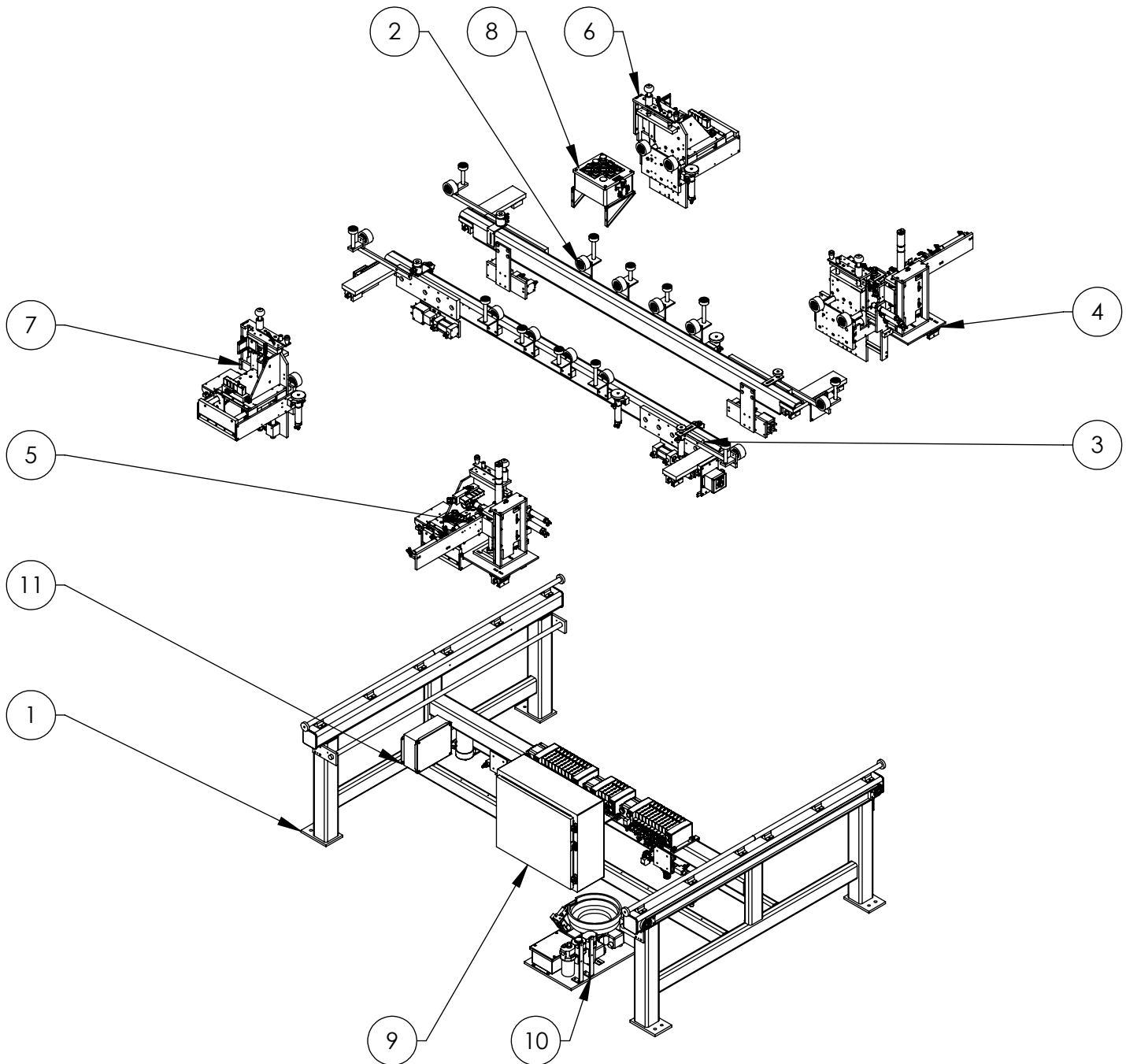
**SECTION - 8
FIXED HEAD END - HEAD**

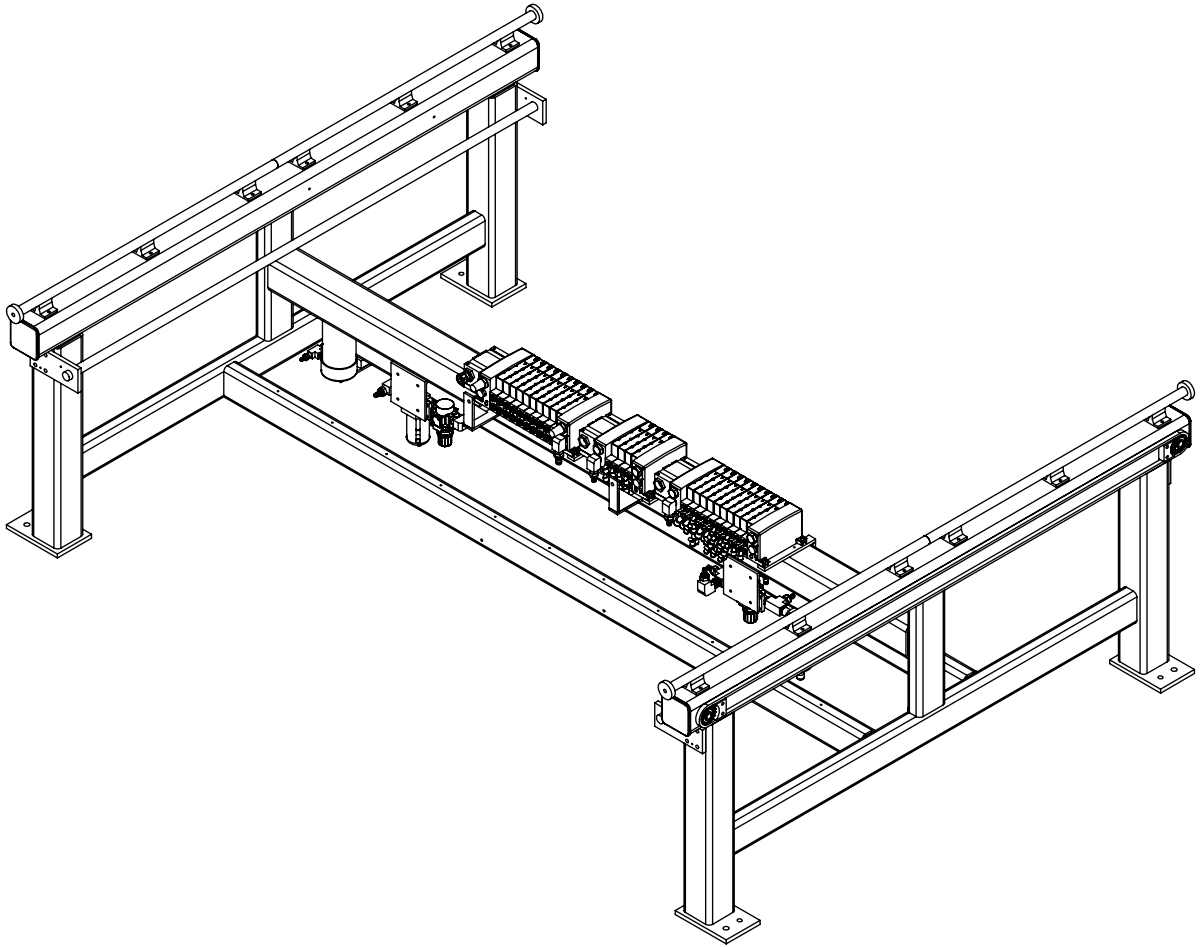




700-DC OPT-B (AUTO SCREWDRIVER) - BOM

ITEM	QTY	PART NUMBER	DESCRIPTION
1	1	73-0B-05	MAIN FRAME ASSEMBLY
2	1	73-00-10	MOVEABLE SIDE CARRIAGE
3	1	73-00-11	FIXED CARRIAGE ASSEMBLY
4	1	73-0B-12	MOVEABLE SILL HEAD ASSY
5	1	73-0B-13	FIXED SILL HEAD ASSEMBLY
6	1	73-00-14	MOVEABLE HEAD END HEAD
7	1	73-00-15	FIXED HEAD END - HEAD
8	1	73-0B-803	CONTROL BOX ASSEMBLY
9	1	73-0B-800	ELECTRICAL BOX ASSY
10	1	160-00-09	SCREW SEPARATOR
11	1	73-0B-804	ELECTRICAL BOX ASSEMBLY

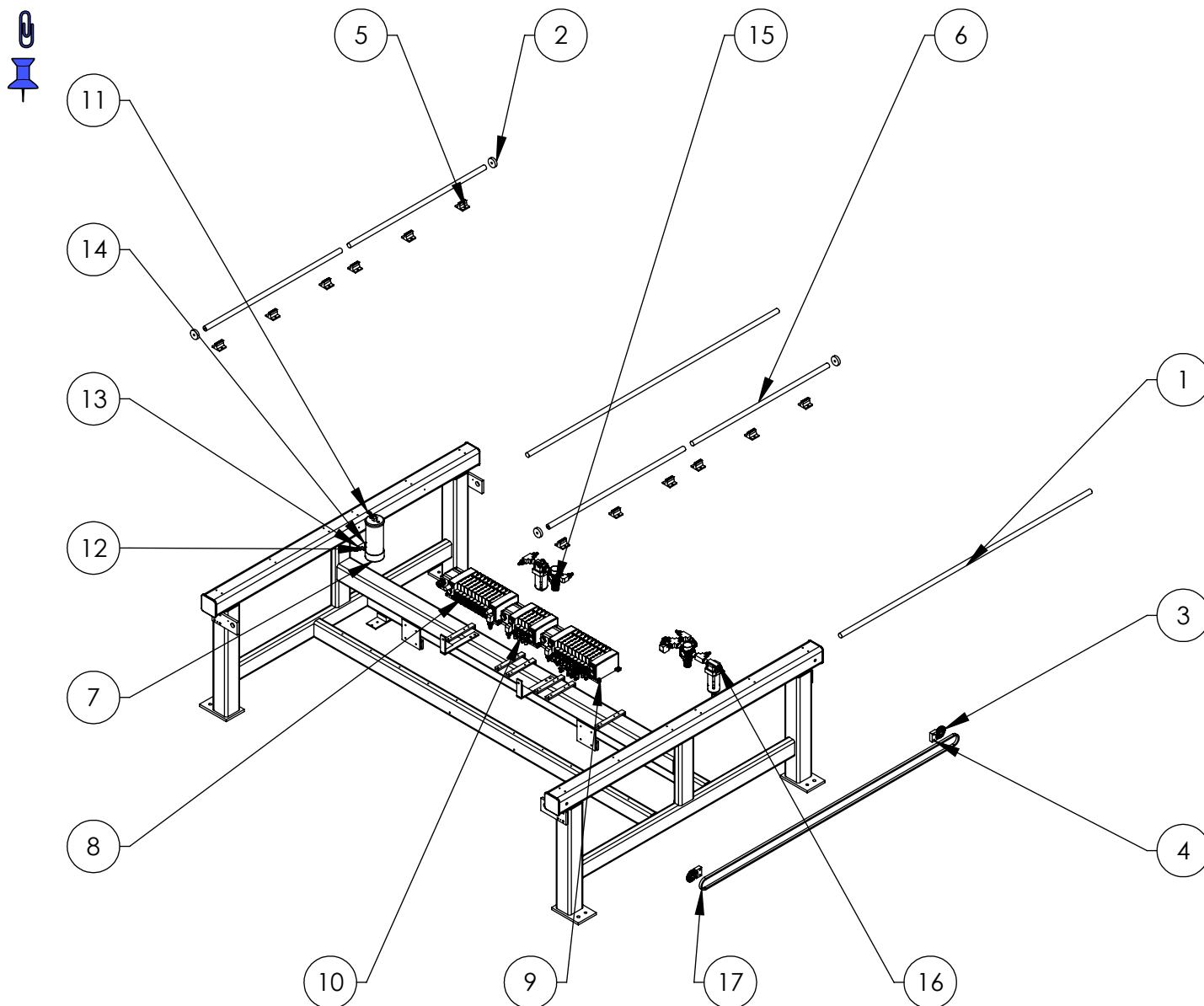


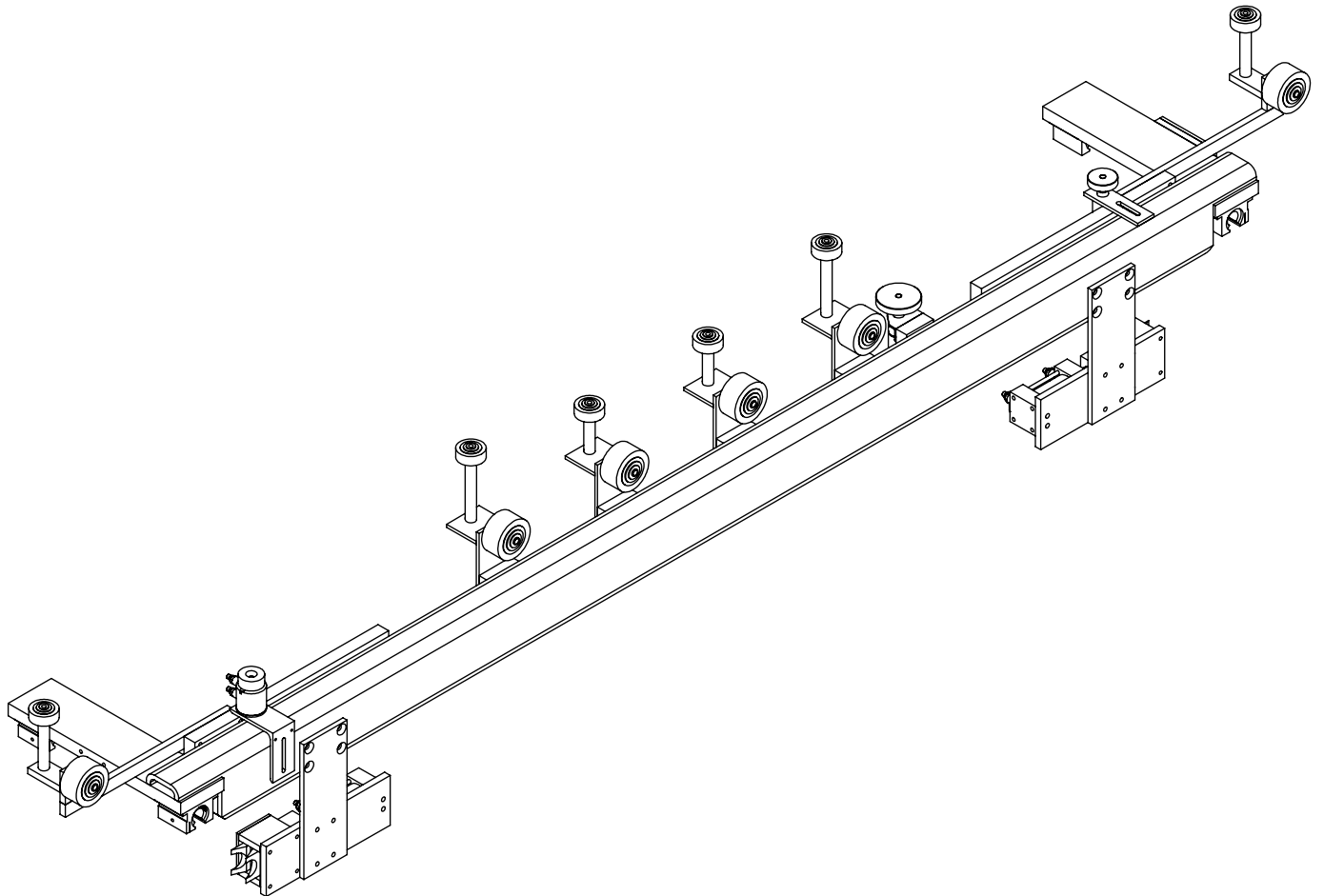




MAIN FRAME ASSEMBLY - BOM

ITEM	QTY	PART NUMBER	DESCRIPTION
1	2	73-00-DC7	PICKLE FORK SHAFT
2	4	37-00-AZ	CARRIAGE STOP
3	2	BROHB3503	#35 CHAIN 20T X 5/8 BORE
4	2	73-00-CA	CENTERING CHAIN IDLER
5	12	526C	1 DIA SHAFT STANDOFF
6	4	73-00-DX10	WIDTH SHAFTS
7	1	MON21750	HYDRAULIC RESERVOIR
8	1	73-00-205	MAIN VALVE BANK ASSEMBLY
9	1	73-0B-201	VALVE BANK
10	1	73-0B-200	VALVE BANK
11	1	P169PL44	90-DEG SWIVEL 1/4-OD
12	1	216P64	1/4 TO 3/8 FITTING
13	1	2203P04	2203P-4 TEE 1/4 FEMALE
14	2	3018244B	30182-4-4B PUSH-LOK
15	1	73-0B-203	FRL ASSEMBLY #1
16	1	73-0B-204	FRL ASSEMBLY #2
17	1	73-00-CHA35	#35 CHAIN

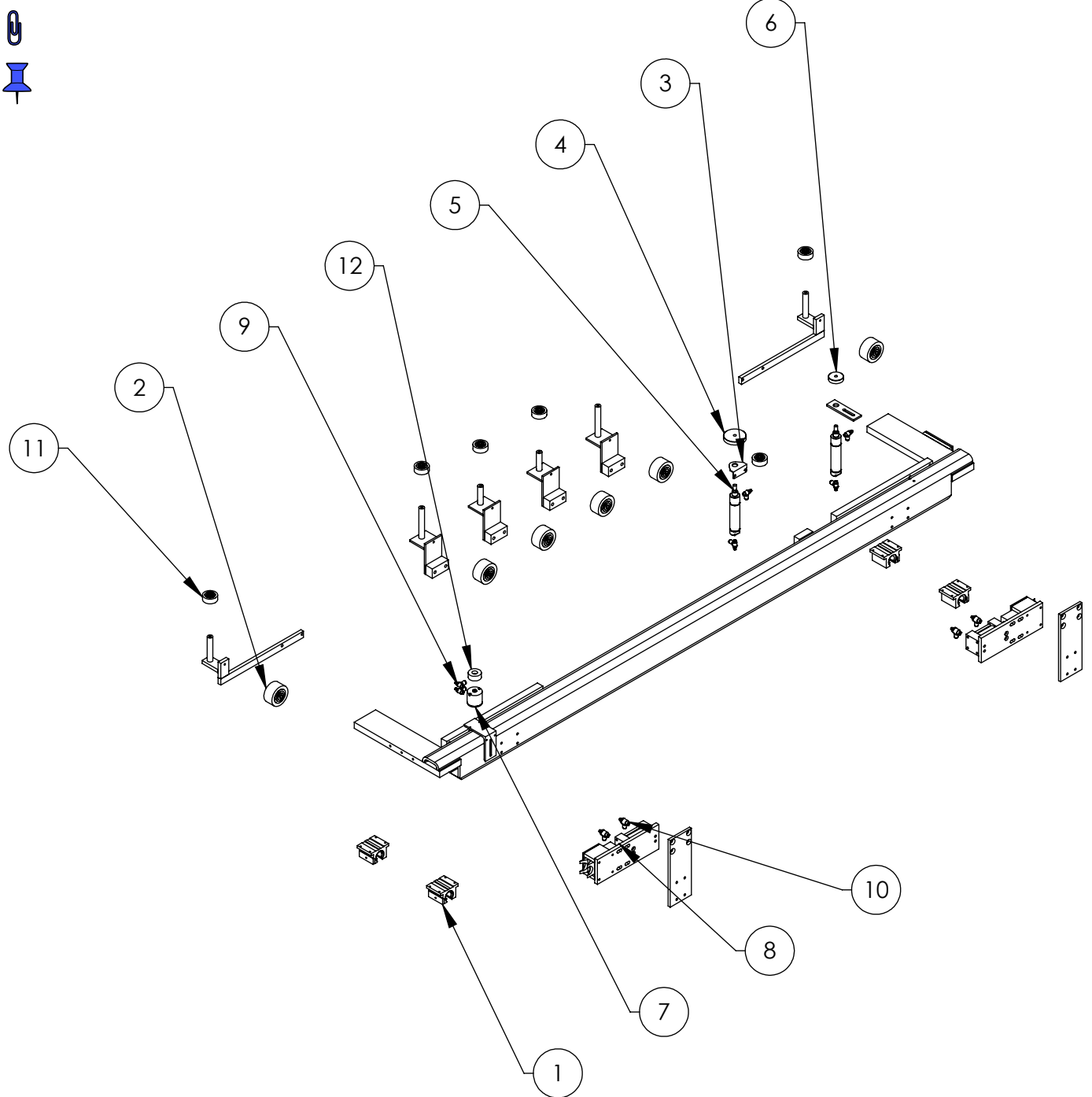






MOVEABLE SIDE CARRIAGE - BOM

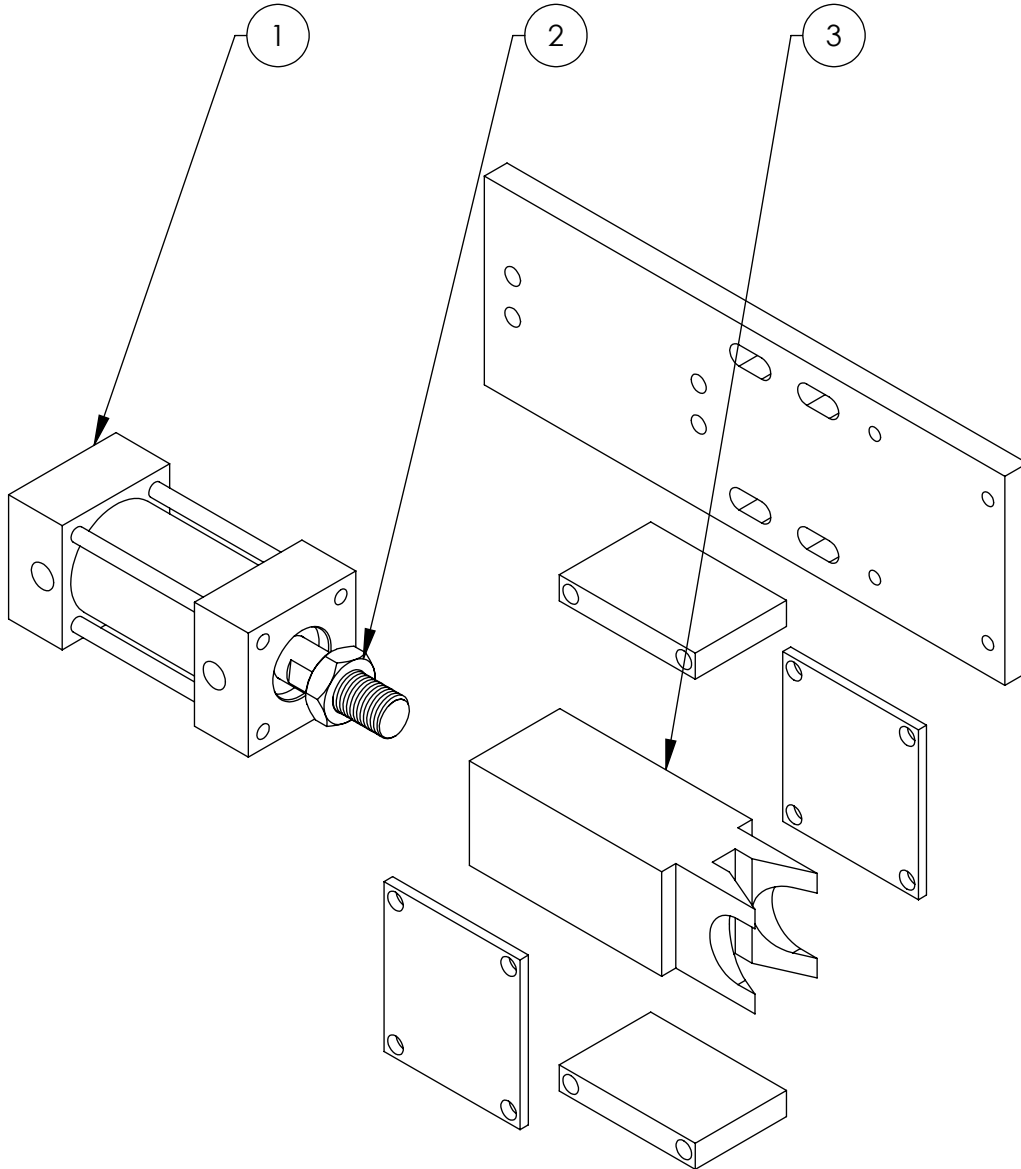
ITEM	QTY	PART NUMBER	DESCRIPTION
1	4	INASPB160	1" OPEN BEARING
2	6	WESPT7624	3" DIA. X 1 1/2 WIDE
3	1	BIMD241	BIMBA BRACKET
4	1	P481607FD	3" DIA. X 1/2 DELRIN PAD
5	2	BIM123D	BIM CYL 123D 3 DOUBLE
6	1	P320807FD	2" DIA. X 1/2 DELRIN PAD
7	1	FABE121X	FABE121X
8	2	COM000156G	PICKLE FORK ASSY
9	6	SMCAS2201F1	SMC FLOW 1/8 NPT
10	4	SMCAS2201F2	SMC FLOW 1/4 NPT
11	6	WESPT5112 WITH BEARINGS	WESPT5112 WITH BEARINGS
12	1	P281205-D	1 3/4" DIA. X 3/4 PAD





PICKLE FORK ASSEMBLY - BOM

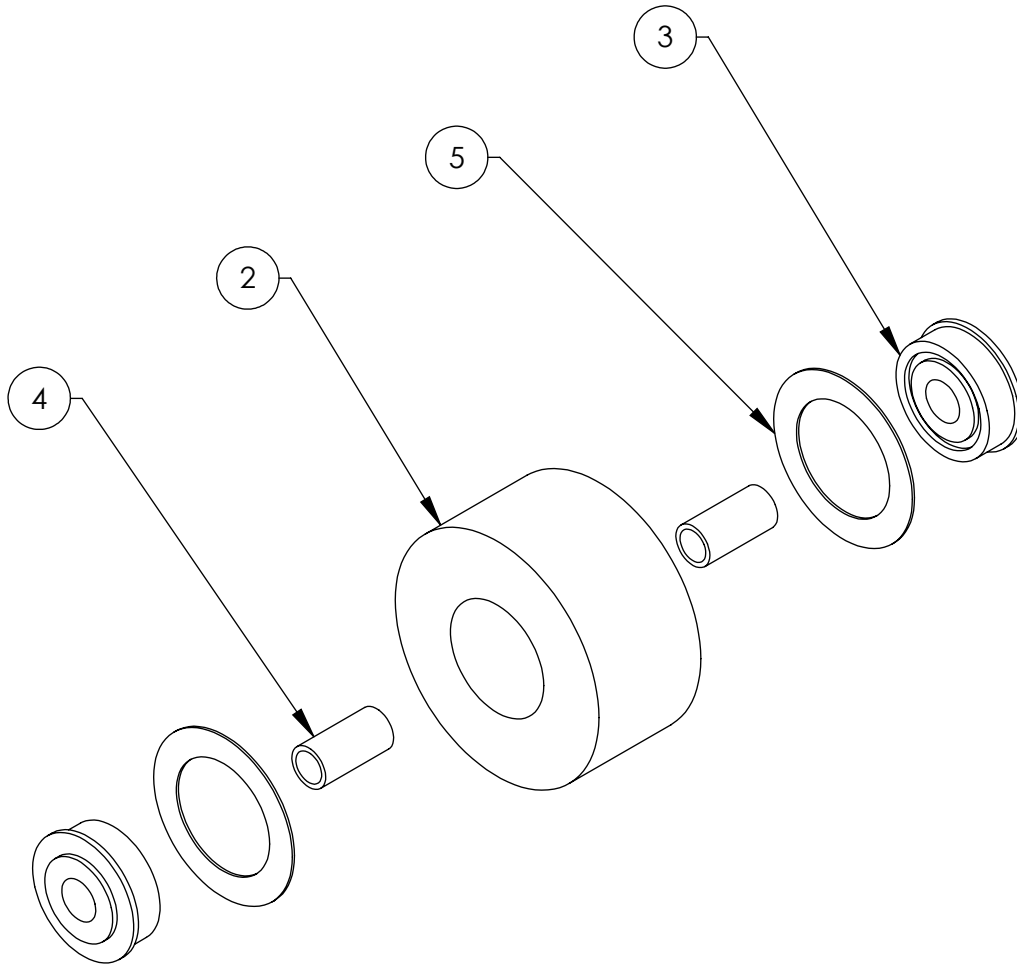
ITEM	QTY	PART NUMBER	DESCRIPTION
1	1	ADV240A19	240 X 1 1/2 STROKE CYLINDER
2	1	NUTCJ750	JAMB NUT 3/4-10
3	1	156G	INDEX STOP





3" DIA. X 1 1/2 WIDE - BOM

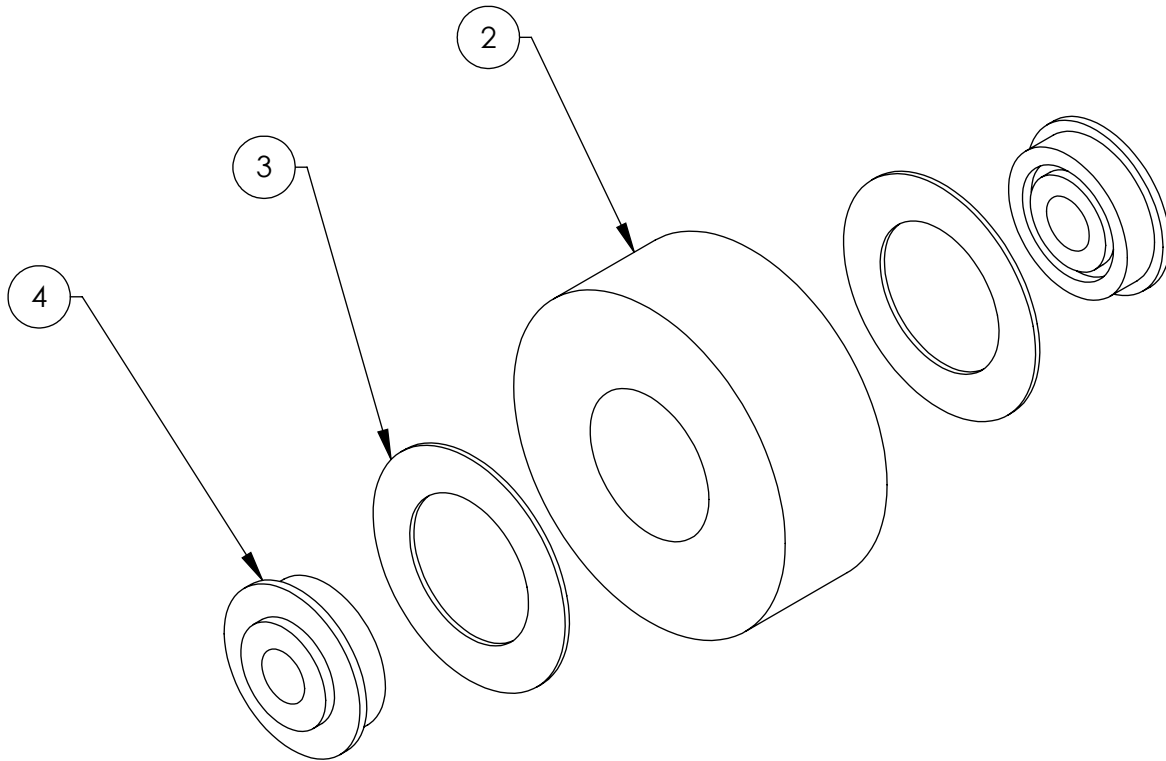
ITEM	QTY	PART NUMBER	DESCRIPTION
1	1	WESPT7624	3" DIA. X 1 1/2 WIDE
2	1	WESPT7624	3 DIA X 1 1/2 WIDE
3	2	BA1150050	FLANGED WHEEL BEARING
4	2	1501C	FLANGED BALL BEARING
5	2	MC3088A419	1-3/8 ID X 1-7/8 OD X .025 WASHER

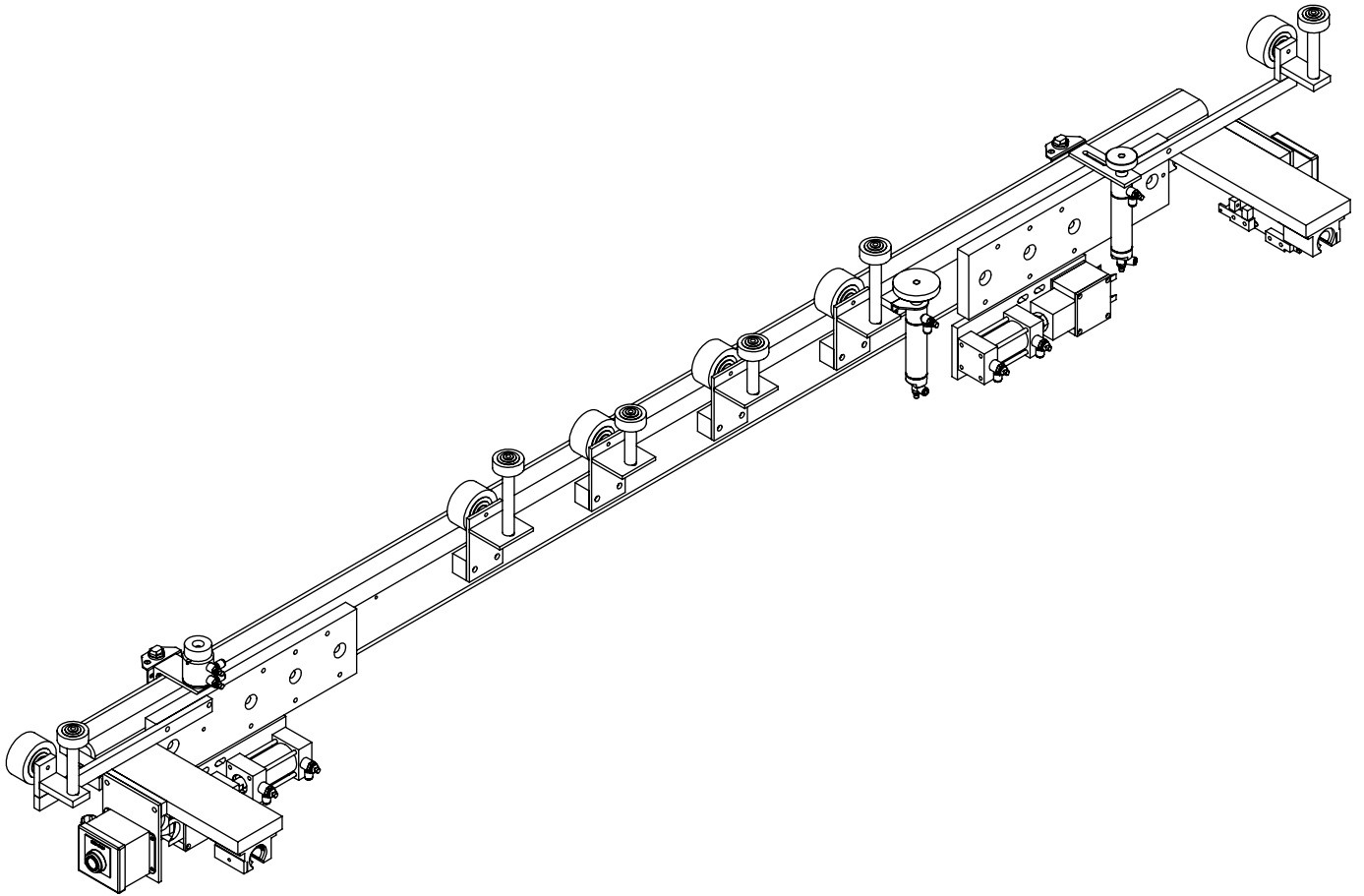




WESPT5112 WITH BEARINGS - BOM

ITEM	QTY	PART NUMBER	DESCRIPTION
1	1	WESPT5112 WITH BEARINGS	WESPT5112 WITH BEARINGS
2	1	WESPT5112	2 DIA X 7/8 ID 3/4 WIDE
3	2	TORTRA142	TRA-1423 THRUST WASHER
4	2	KILF16500	5/16 ID 7/8 OD 3/8 WIDE

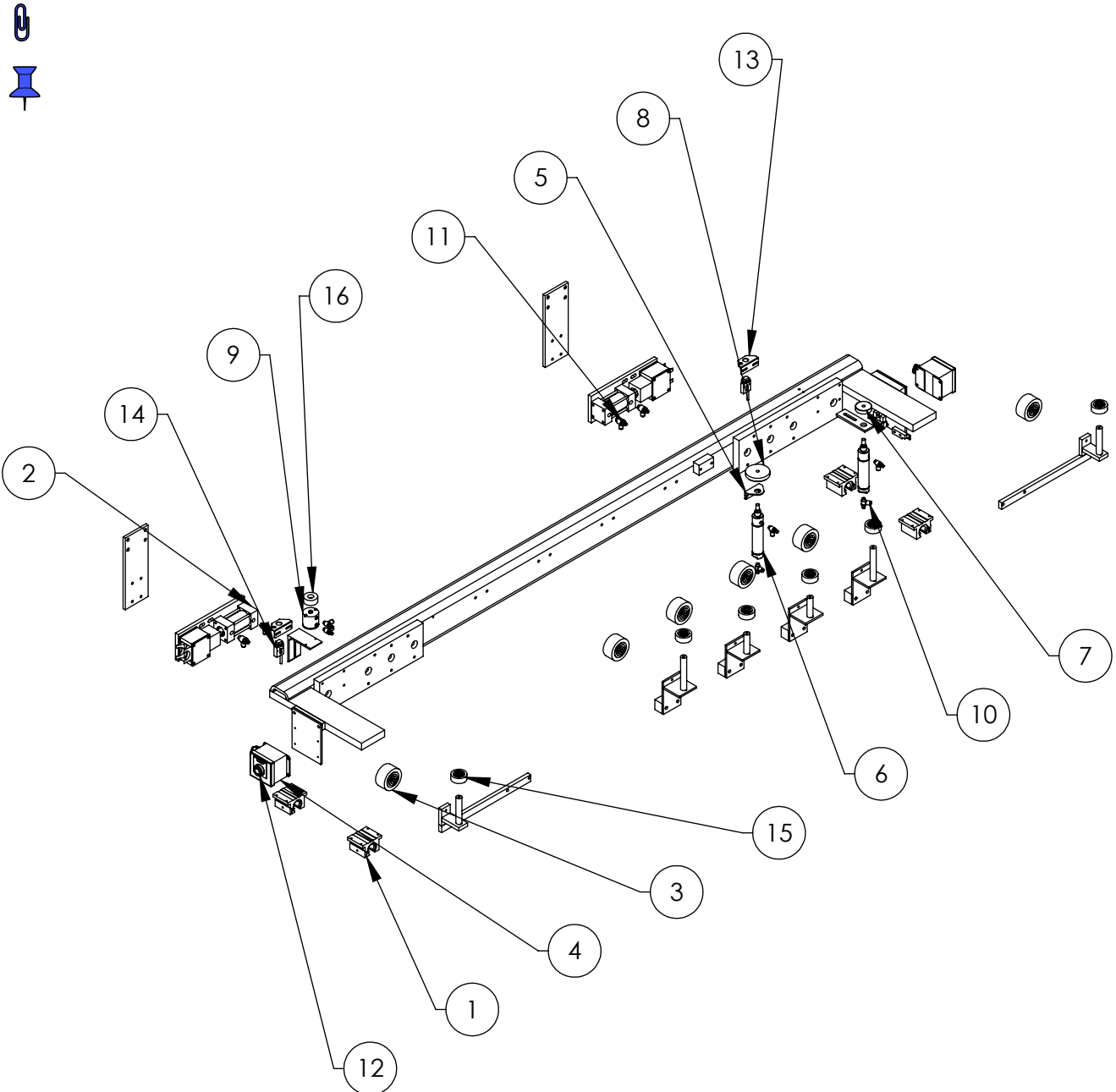






FIXED CARRIAGE ASSEMBLY - BOM

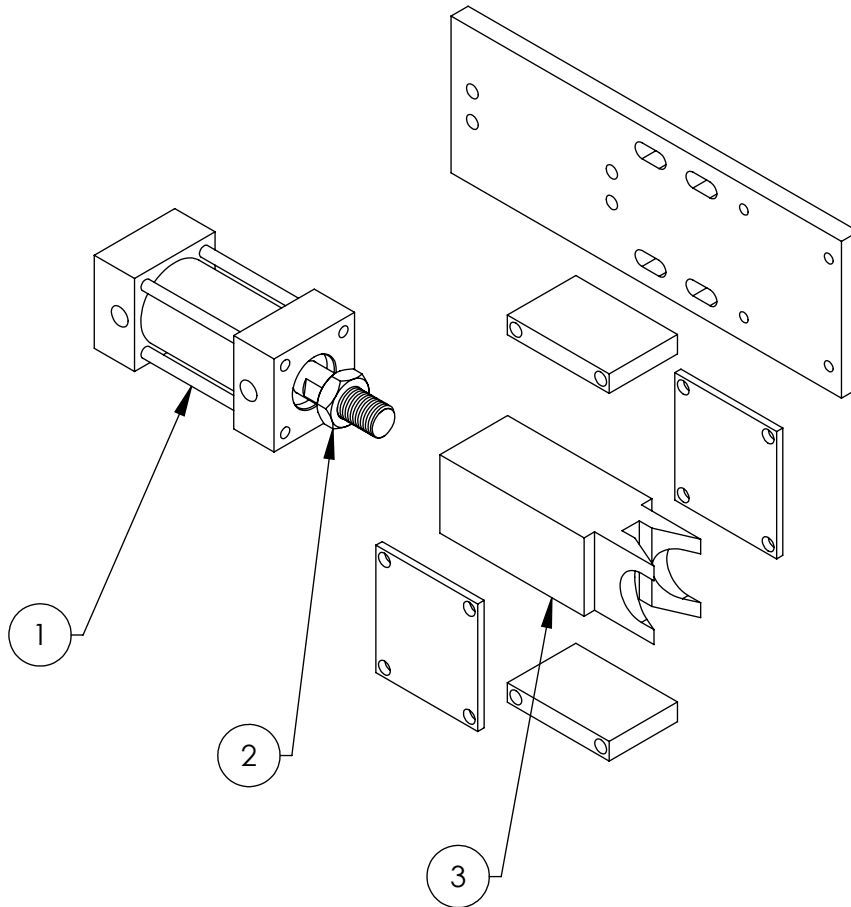
ITEM	QTY	PART NUMBER	DESCRIPTION
1	4	INASPBI60	1" OPEN BEARING
2	2	COM000156G	PICKLE FORK ASSY
3	6	WESPT7624	3" DIA. X 1 1/2 WIDE
4	2	E1PBG	PUSHBUTTON ENCLOSURE
5	1	BIMD241	BIMBA BRACKET
6	2	BIM123D	BIM CYL 123D 3 DOUBLE
7	1	P320807FD	2" DIA. X 1/2 DELRIN PAD
8	1	P481607FD	3" DIA. X 1/2 DELRIN PAD
9	1	FABE121X	FABE121X
10	6	SMCAS2201F1	SMC FLOW 1/8 NPT
11	4	SMCAS2201F2	SMC FLOW 1/4 NPT
12	2	KR1U	UNIVERSAL PUSH BUTTON
13	2	KVA18MMBRK-A2	PHOTO EYE BRACKET
14	2	SM312D	DIFFUSE PHOTO BEAM 10-30
15	6	WESPT5112 WITH BEARINGS	WESPT5112 WITH BEARINGS
16	1	P281205-D	1 3/4" DIA. X 3/4 PAD





PICKLE FORK ASSEMBLY - BOM

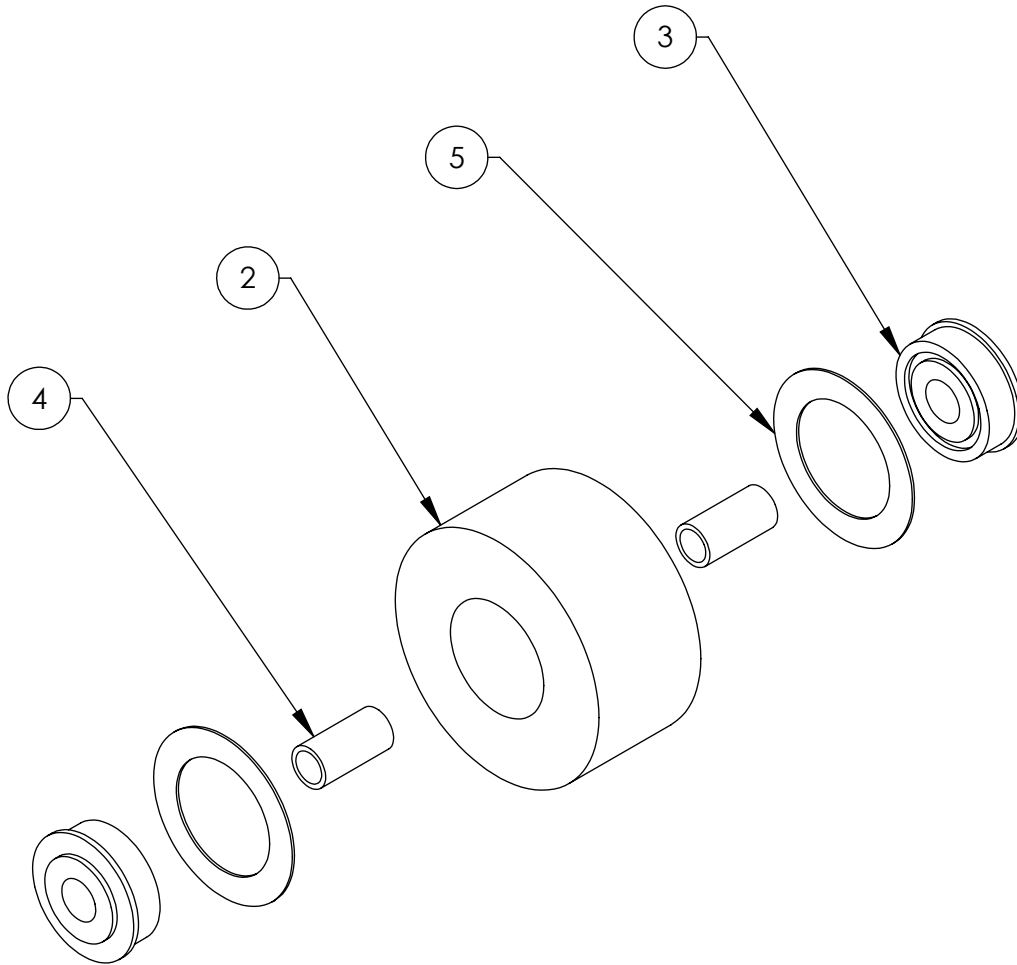
ITEM	QTY	PART NUMBER	DESCRIPTION
1	1	ADV240A19	240 X 1 1/2 STROKE CYLINDER
2	1	NUTCJ750	JAMB NUT 3/4-10
3	1	156G	INDEX STOP





3" DIA. X 1 1/2 WIDE - BOM

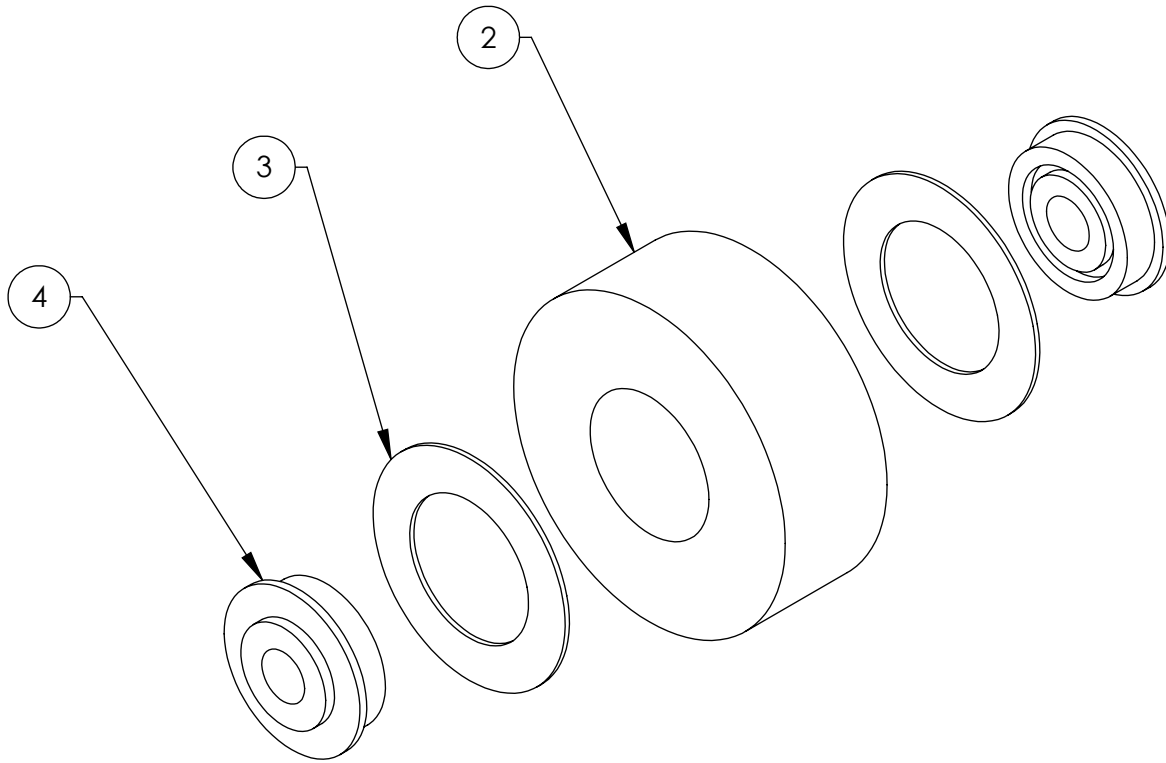
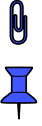
ITEM	QTY	PART NUMBER	DESCRIPTION
1	1	WESPT7624	3" DIA. X 1 1/2 WIDE
2	1	WESPT7624	3 DIA X 1 1/2 WIDE
3	2	BA1150050	FLANGED WHEEL BEARING
4	2	1501C	FLANGED BALL BEARING
5	2	MC3088A419	1-3/8 ID X 1-7/8 OD X .025 WASHER

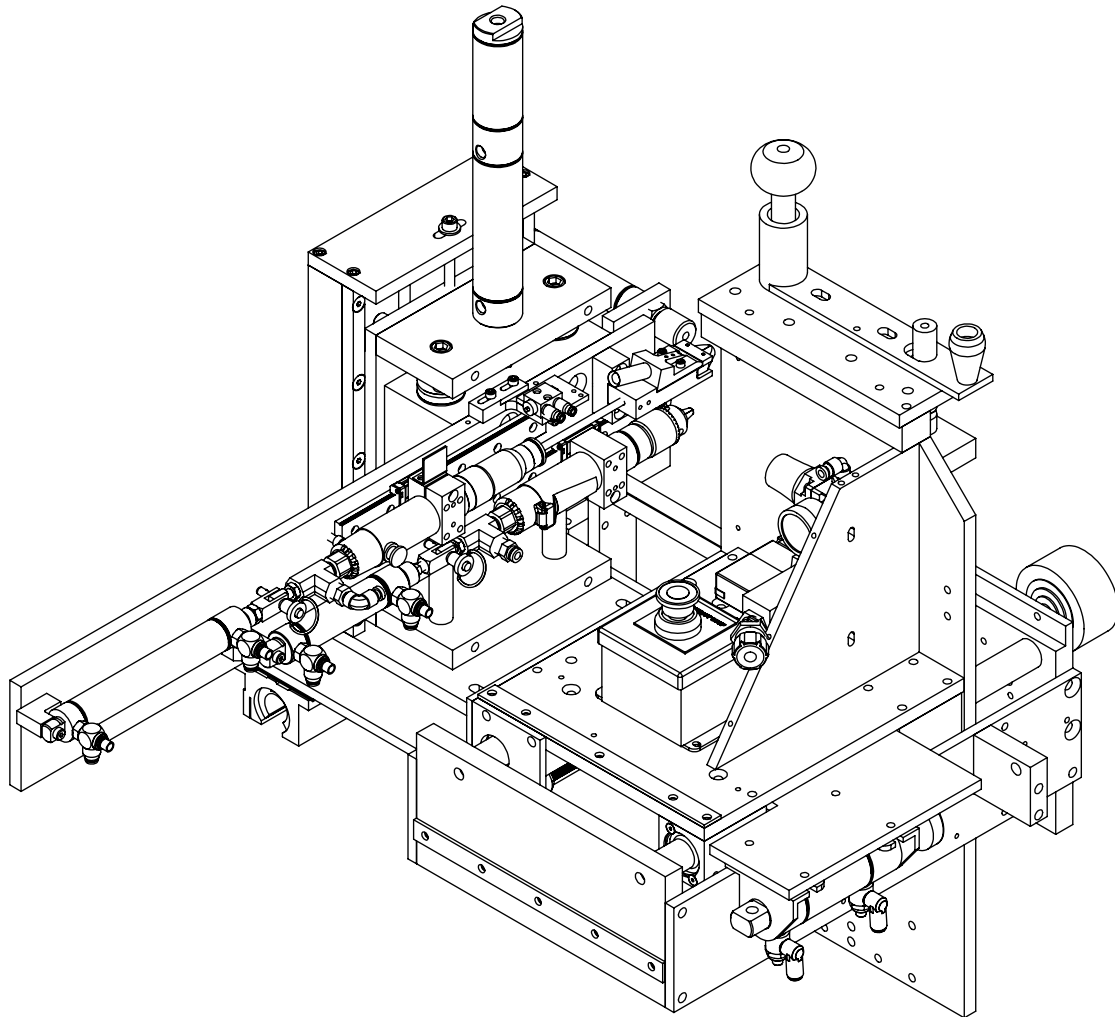




WESPT5112 WITH BEARINGS - BOM

ITEM	QTY	PART NUMBER	DESCRIPTION
1	1	WESPT5112 WITH BEARINGS	WESPT5112 WITH BEARINGS
2	1	WESPT5112	2 DIA X 7/8 ID 3/4 WIDE
3	2	TORTRA142	TRA-1423 THRUST WASHER
4	2	KILF16500	5/16 ID 7/8 OD 3/8 WIDE



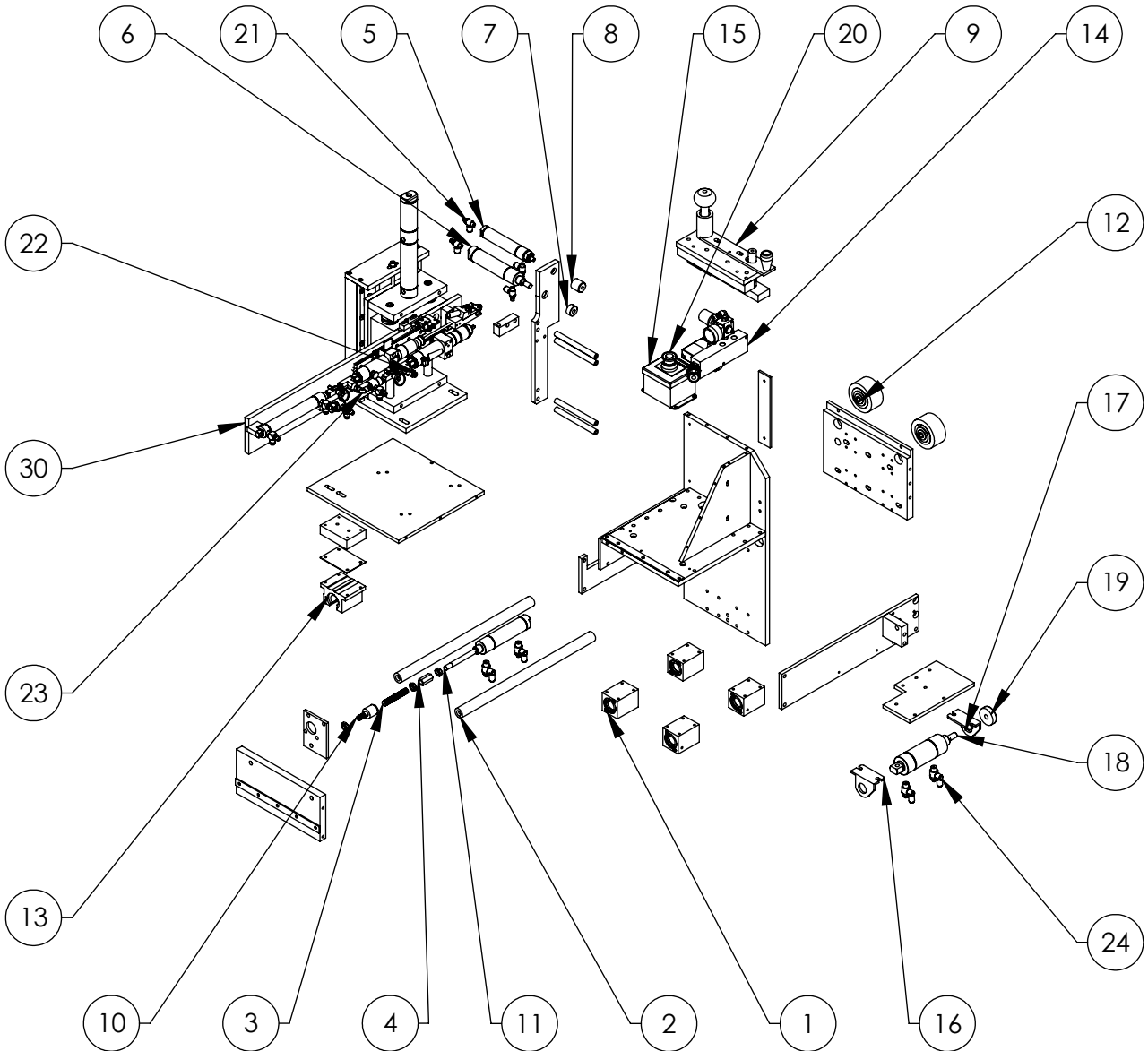




2004 - CURRENT

MOVEABLE SILL HEAD ASSEMBLY - BOM

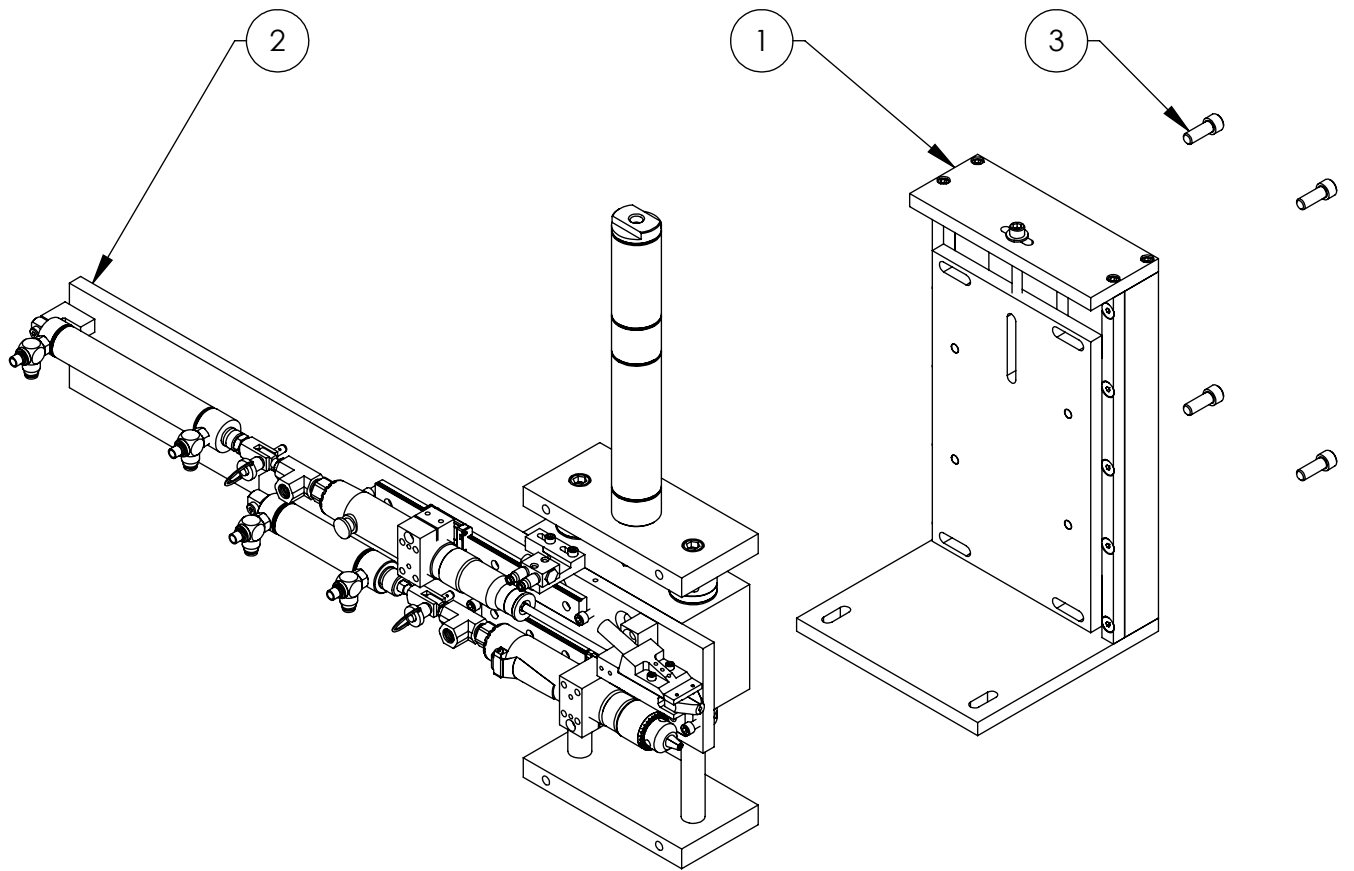
ITEM	QTY	PART NUMBER	DESCRIPTION
1	4	KVALBB16A	LINEAR BEARING BLOCK
2	2	46-00-AG	LINEAR BEARING SHAFT
3	1	73-00-F32	REDI-ROD CONNECTOR
4	1	CPLR0720	7/16-20 COUPLER
5	1	BIM093D	BIMBA 093D
6	1	BIM123D	BIM CYL 123D 3 DOUBLE
7	1	P160807FD	1" DIA. X 1/2 DELRIN PAD
8	1	P161605FD	KVAL PADS - 5/16NF
9	1	73-0B-16	MOVEABLE SILL JAMB WIDTH
10	1	PHD437	PISOTN ROD COUPLER
11	1	BIM123D	BIM CYL 123D 3 DOUBLE
12	2	WESPT7624	3" DIA. X 1 1/2 WIDE
13	1	INASPBI60	1" OPEN BEARING
14	1	73-0B-202	REGULATOR ASSEMBLY
15	1	EIPBG	PUSHBUTTON ENCLOSURE
16	1	46-00-FL	700-C.MAIN.HORZ. CYL.
17	1	46-00-FR	700-C.MAIN.HORZ. CYL.
18	1	BIM241DP	1" STROKE CYLINDER
19	1	P280808FD	1 3/4 X 1/2 " X 1/2-20
20	1	9001KR9P1	PUSH PULL OPERATOR ILLUM
21	4	SMCAS2201F1	SMC FLOW 1/8 NPT
22	1	P068PL44	STRAIGHT MALE 1/4-OD TUB
23	1	P169PL44	90-DEG SWIVEL 1/4-OD
24	4	SMCAS2302F	1/4 FLOW CONTROL UNIVERSAL





DRILL & DRIVER ASSEMBLY, LEFT - BOM

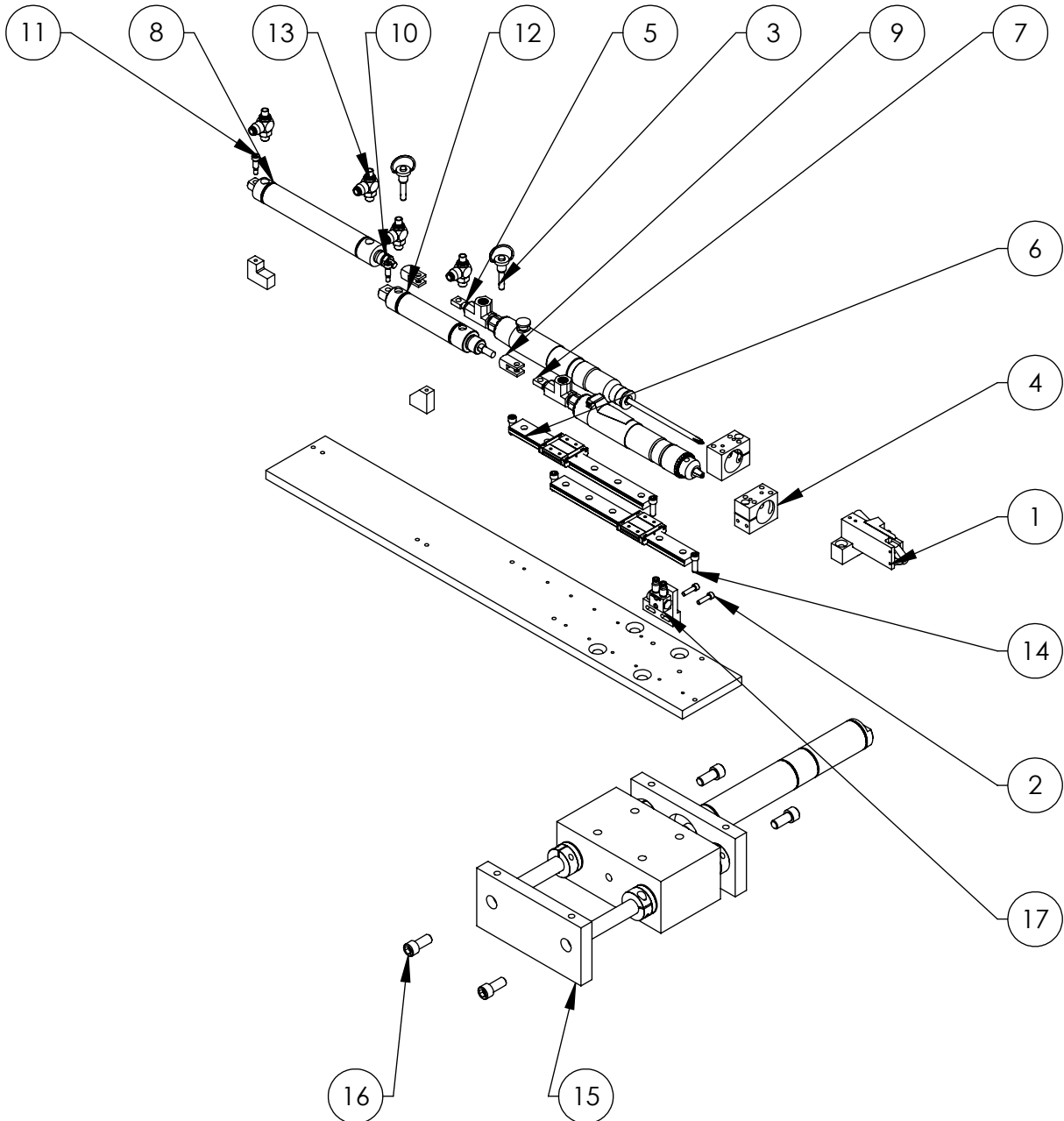
ITEM	QTY	PART NUMBER	DESCRIPTION
1	1	160-00-07	DRIVER ASSEMBLY MOUNT, LEFT
2	1	160-00-06L	SCREWDRIVER ASSEMBLY, LEFT
3	4	375CSH100	SHCS 3/8-16 X 1





SCREWDRIVER ASSEMBLY, LEFT - BOM

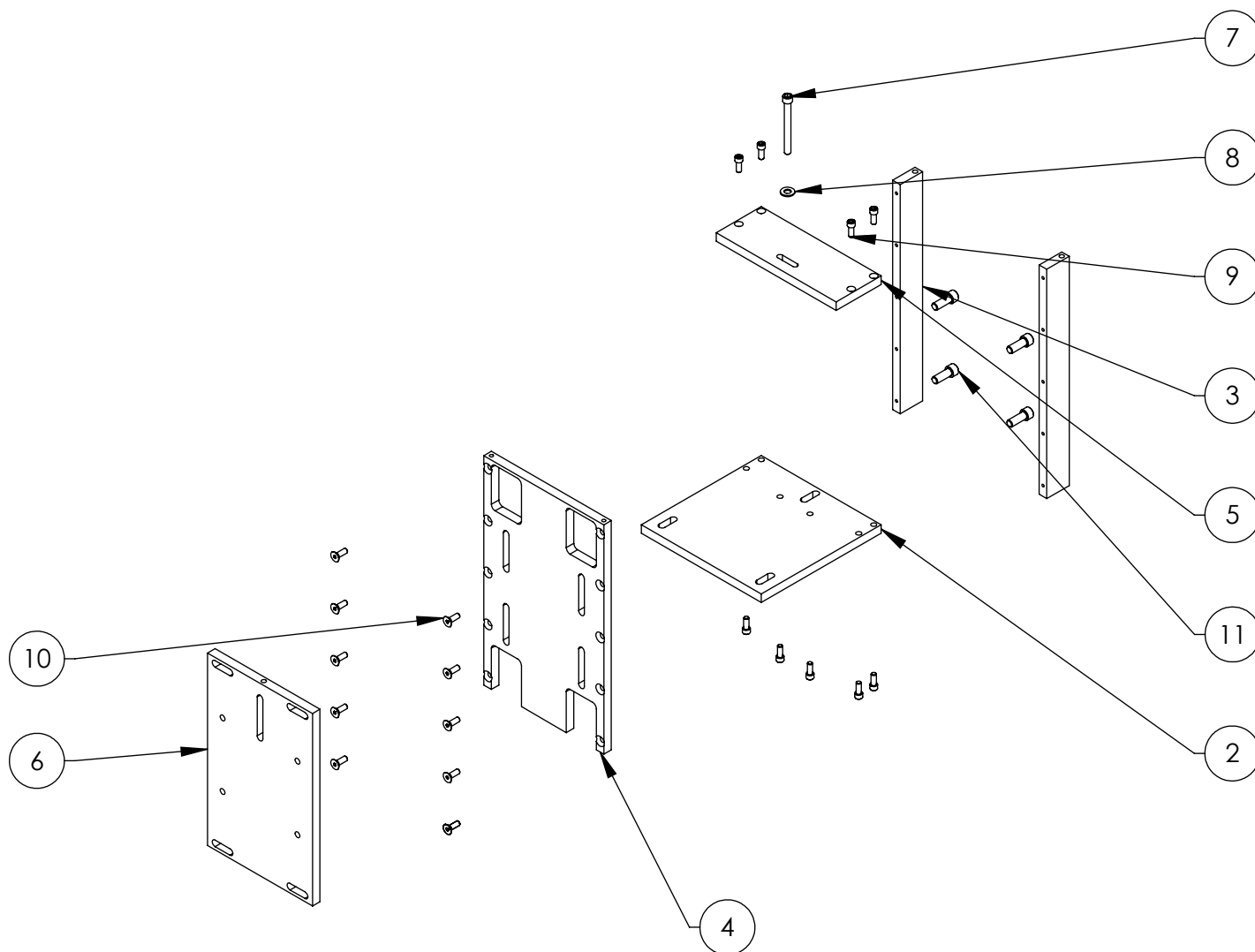
ITEM	QTY	PART NUMBER	DESCRIPTION
1	1	160-00-02L	BARREL ASSEMBLY
2	2	1024CSH075	SHCS 10-24 X 3/4
3	2	92384A033	QUICK RELEASE PIN
4	2	1208-095	CLAMP BLOCK
5	1	160-00-03	SCREWDRIVER ASSEMBLY
6	2	400-001	BALL RAIL ASSEMBLY
7	1	160-00-04	DRILL ASSEMBLY
8	1	BIM095DX	1-1/16 BORE X 5" DOUBLE ACTING
9	2	BIMD1661-Clevis	CLEVIS
10	1	NUTCJ375	3/8-16 HEX JAMB NUT
11	2	250SB050	SHOULDER BOLT 1/4 X 1/2
12	1	BIMMRS092DXP	MRS-092-DXP W/MAGNET
13	4	FQP2	FLOW CONTROL
14	4	250CSH0075	1/4-20 SOCKET HEAD CAP
15	1	1307-125	DRILL SLIDE ASSEMBLY
16	4	HX-SHCS 0.4375-14x1x1-N	7/16-14 X 1 X 1 SOCKET HEAD CAP SCREW
17	1	160-00-01	SOLENOID ASSEMBLY





DRIVER ASSEMBLY MOUNT, LEFT - BOM

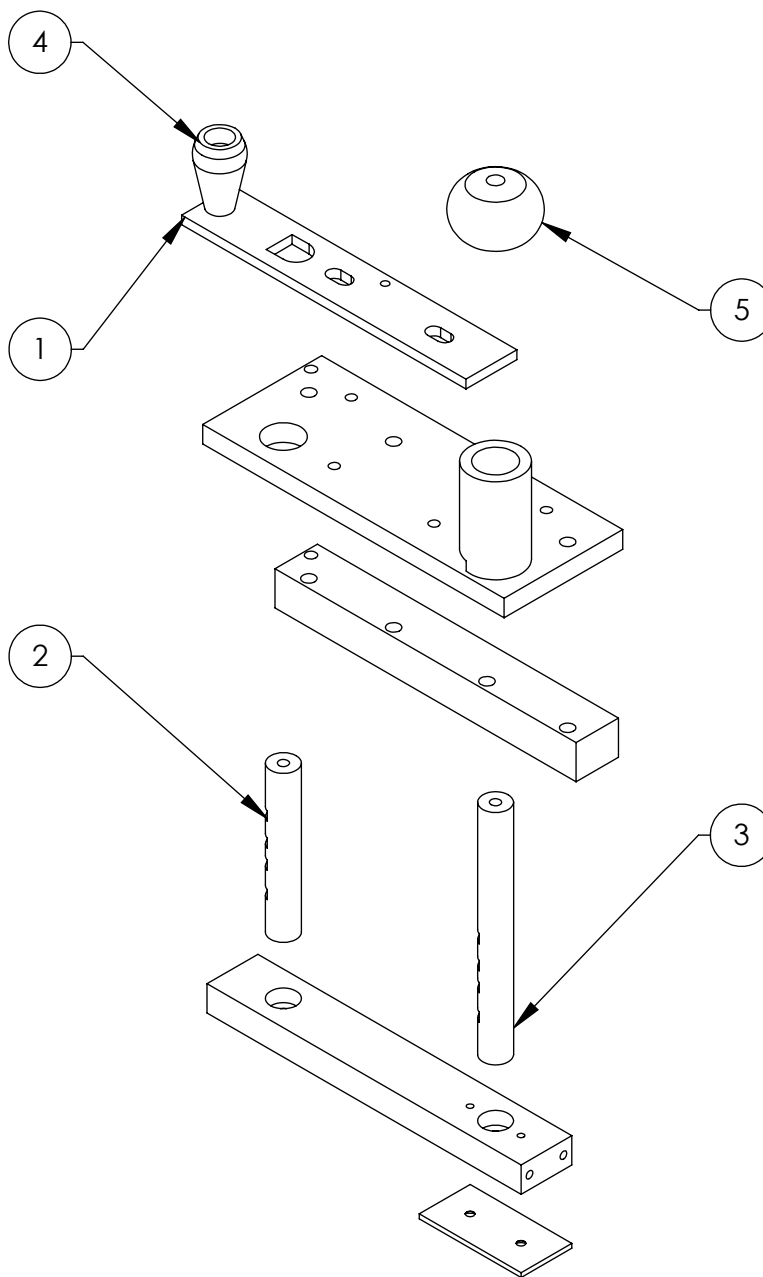
ITEM	QTY	PART NUMBER	DESCRIPTION
1	1	160-00-07	DRIVER ASSEMBLY MOUNT, LEFT
2	1	1901-037	BOTTOM PLATE
3	2	1901-039	SIDE PLATE
4	1	1901-0038	SLIDE ADJUST MOUNT PLATE
5	1	1901-040	TOP PLATE
6	1	1903-050	SLIDE AJDUST PLATE
7	1	312CSH300	SHCS 5/16-18 X 3
8	1	WASHF312	FLAT WASHER
9	9	250CSH0062	SHCS 1/4-20 X 5/8
10	11	250CFS075	FSH 1/4-20 X 3/4
11	4	375CSH100	SHCS 3/8-16 X 1





MOVABLE SILL JAMB WIDTH ASSEMBLY - BOM

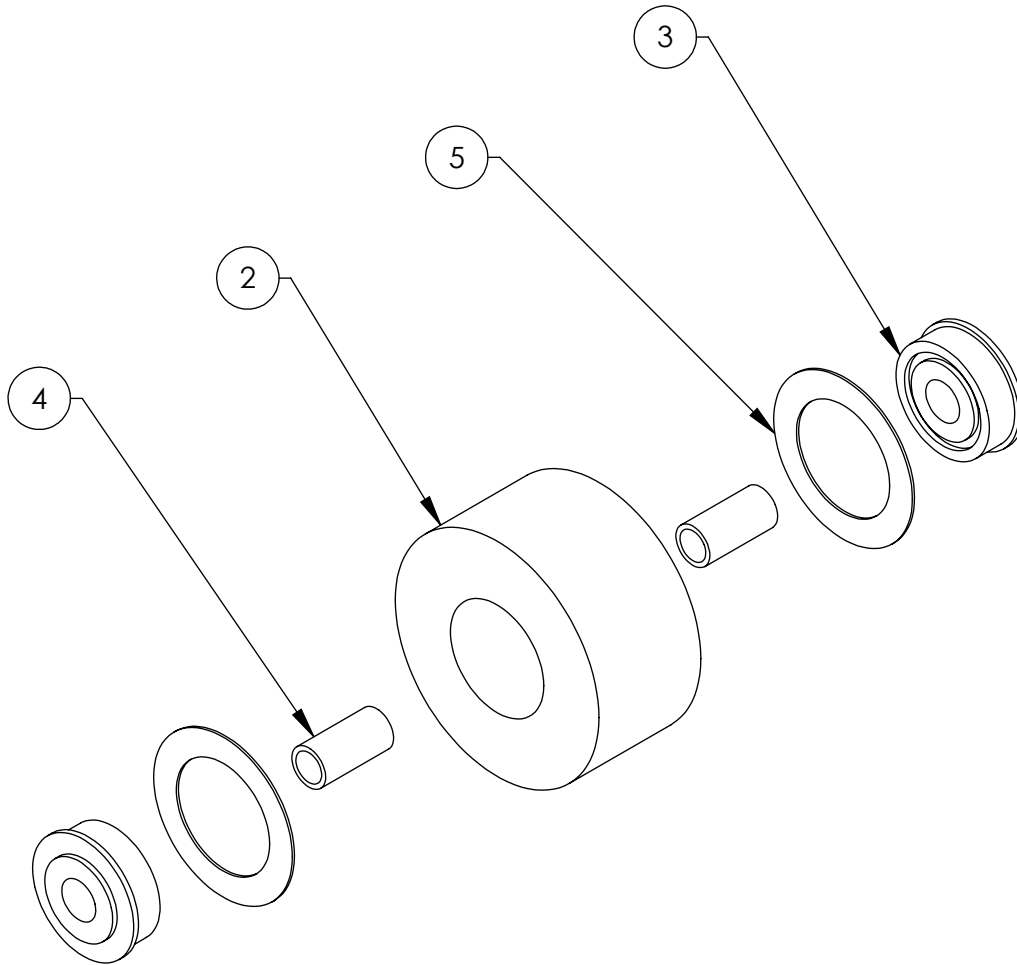
ITEM	QTY	PART NUMBER	DESCRIPTION
1	1	73-00-J5	JAMB WIDTH ADJUST LOCK
2	1	73-00-J8	JAMD WIDTH ADJUST SHAFT
3	1	73-00-J7	JAMD WIDTH ADJUST SHAFT
4	1	KIPD1300	TAPERED KNOB
5	1	KIPD1630	MUSHROOM SHAPED KNOB

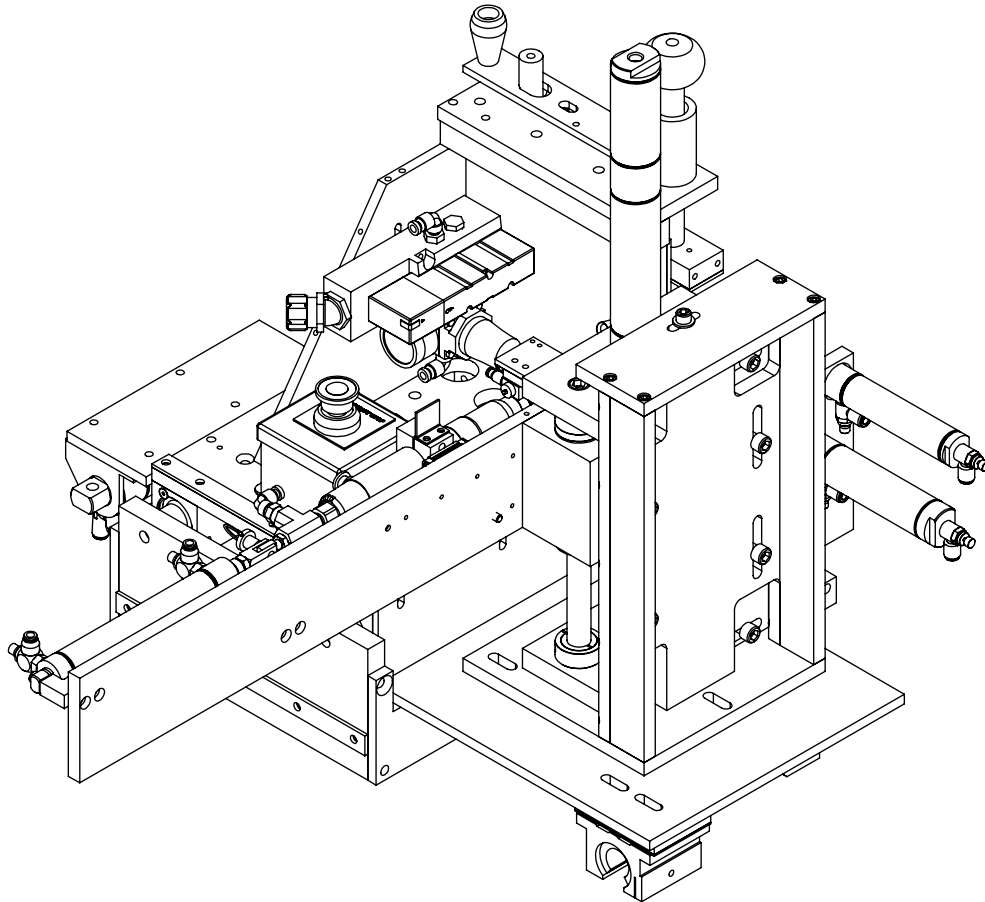




3" DIA. X 1 1/2 WIDE - BOM

ITEM	QTY	PART NUMBER	DESCRIPTION
1	1	WESPT7624	3" DIA. X 1 1/2 WIDE
2	1	WESPT7624	3 DIA X 1 1/2 WIDE
3	2	BAI150050	FLANGED WHEEL BEARING
4	2	1501C	FLANGED BALL BEARING
5	2	MC3088A419	1-3/8 ID X 1-7/8 OD X .025 WASHER



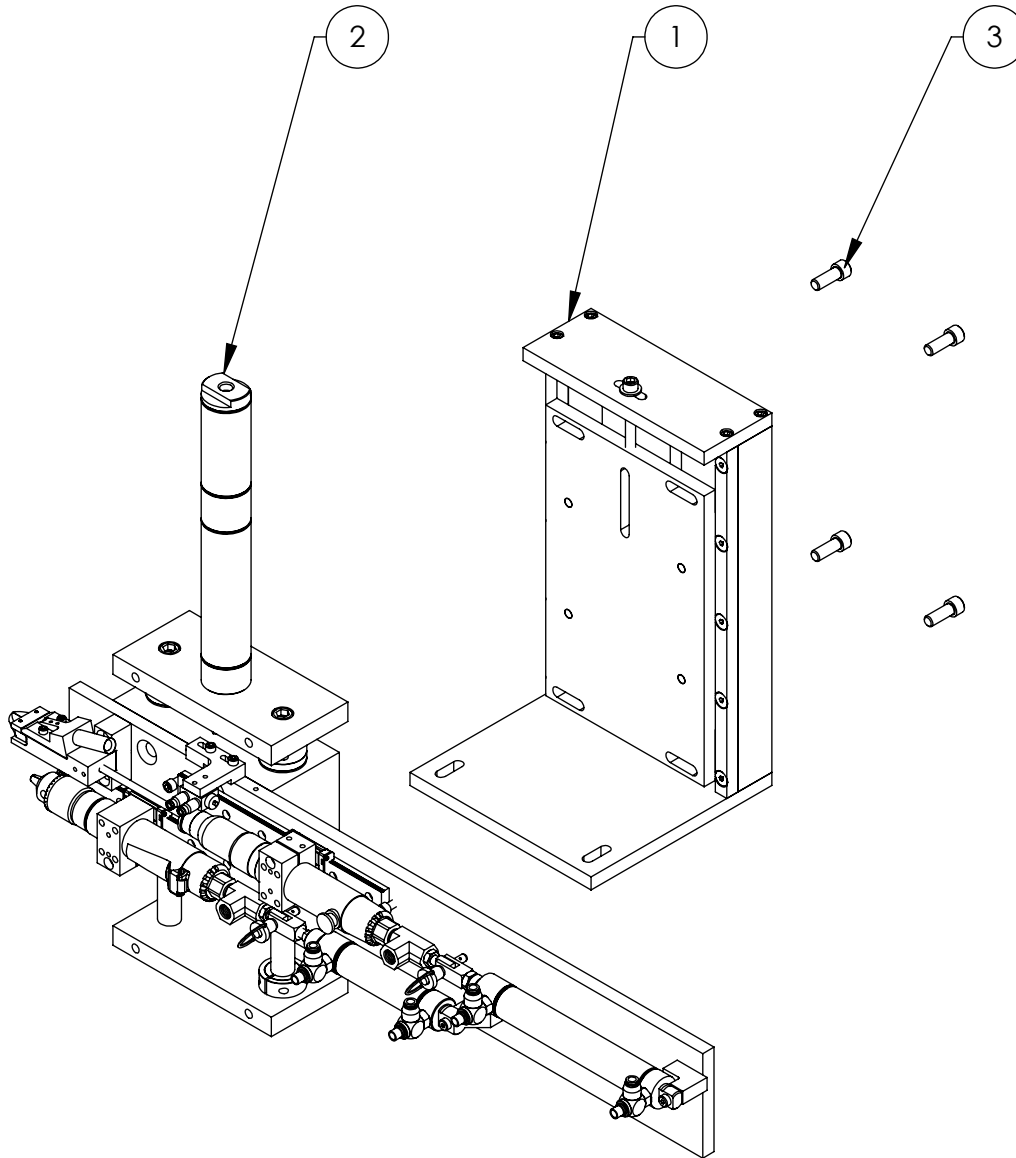




2004 - CURRENT

DRILL ASSEMBLY - BOM

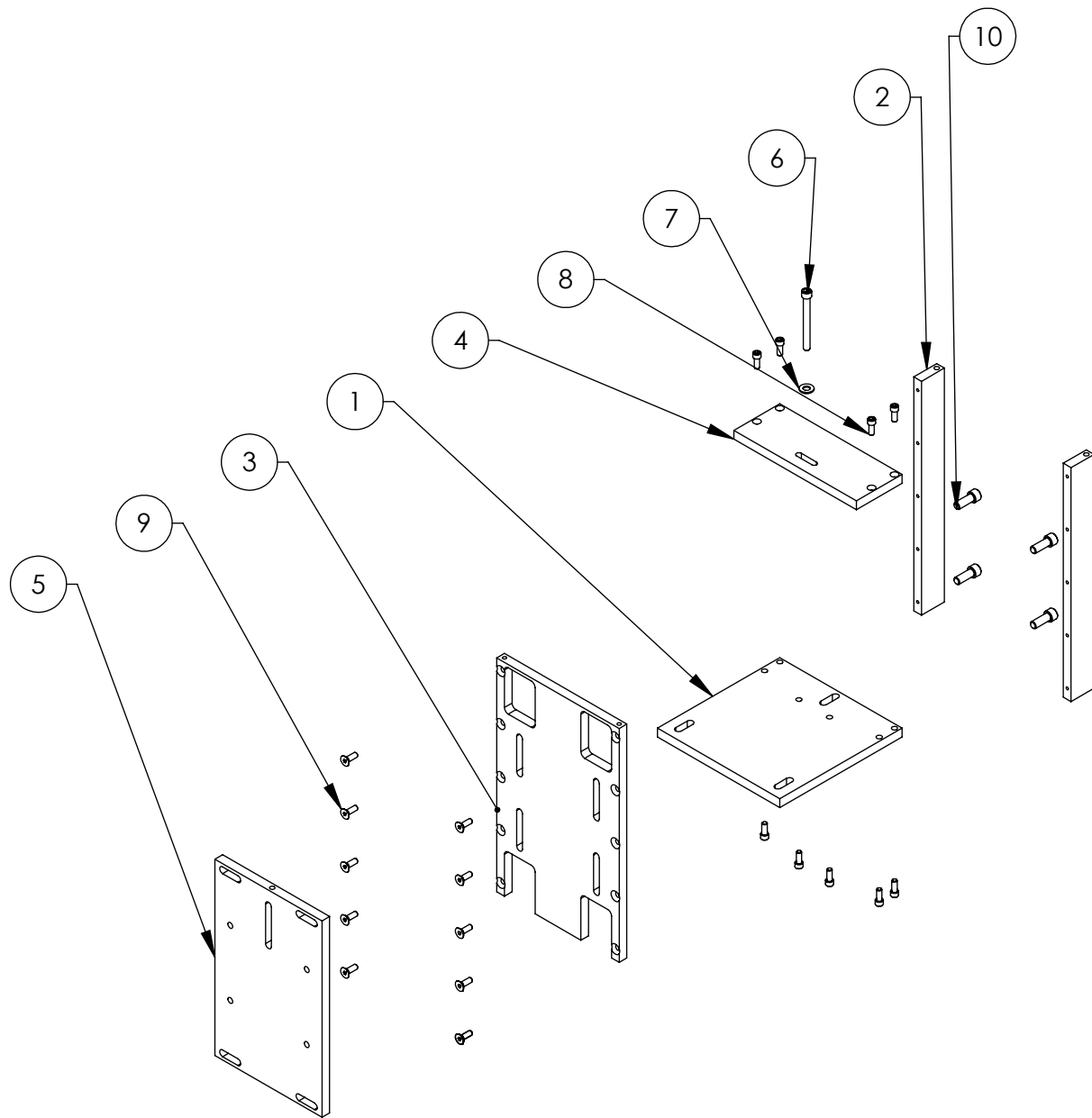
ITEM	QTY	PART NUMBER	DESCRIPTION
1	1	160-00-07	DRIVER ASSEMBLY MOUNT, LEFT
2	1	160-00-06R	DRILL & DRIVER ASSEMBLY, RIGHT
3	4	375CSH100	SHCS 3/8-16 X 1





DRIVER ASSEMBLY MOUNT, LEFT - BOM

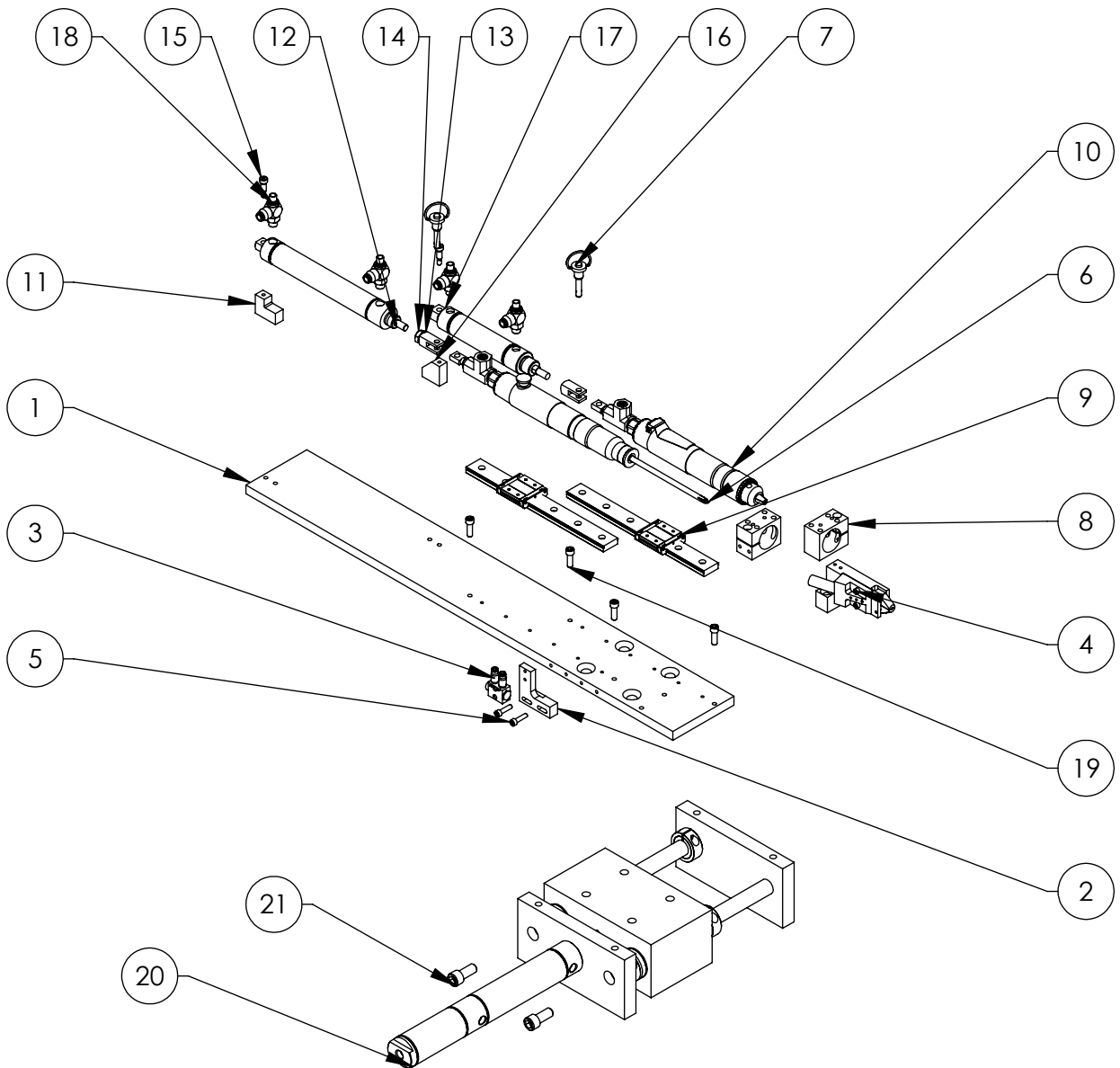
ITEM	QTY	PART NUMBER	DESCRIPTION
1	1	1901-037	BOTTOM PLATE
2	2	1901-039	SIDE PLATE
3	1	1901-0038	SLIDE ADJUST MOUNT PLATE
4	1	1901-040	TOP PLATE
5	1	1903-050	SLIDE AJDUST PLATE
6	1	312CSH300	SHCS 5/16-18 X 3
7	1	WASHF312	FLAT WASHER
8	9	250CSH0062	SHCS 1/4-20 X 5/8
9	11	250CFS075	FSH 1/4-20 X 3/4
10	4	375CSH100	SHCS 3/8-16 X 1





SCREWDRIVER ASSEMBLY, RIGHT - BOM

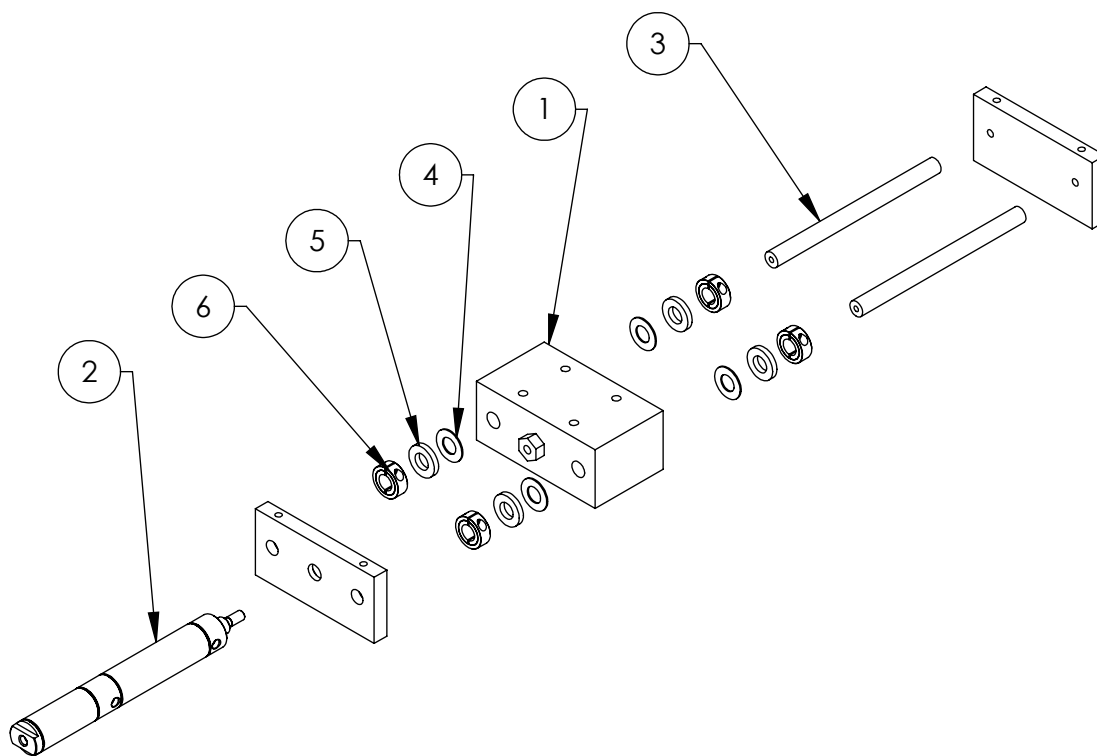
ITEM	QTY	PART NUMBER	DESCRIPTION
1	1	1900-041R	PLATEN
2	1	1208-427R	RIGHT SOLONOID MTG BRKT
3	1	160-00-01	SOLENOID ASSEMBLY
4	1	160-00-02R	BARREL ASSEMBLY
5	2	1024CSH075	SHCS 10-24 X 3/4
6	1	160-00-03	SCREWDRIVER ASSEMBLY
7	2	92384A033	QUICK RELEASE PIN
8	2	1208-095	CLAMP BLOCK
9	2	1400-001	BALL RAIL ASSEMBLY
10	1	160-00-04	DRILL ASSEMBLY
11	1	1208-407	CYL MOUNT BLOCK
12	1	BIM095DX	1-1/16 BORE X 5" DOUBLE ACTING
13	2	BIMD1661-Clevis	CLEVIS
14	1	NUTCJ375	3/8-16 HEX JAMB NUT
15	2	250SB050	SHOULDER BOLT 1/4 X 1/2
16	1	1208-178	CYLINDER MOUNT BRACKET
17	1	BIMMRS092DXP	MRS-092-DXP W/MAGNET
18	4	FQP2	FLOW CONTROL
19	4	250CSH0075	1/4-20 SOCKET HEAD CAP
20	1	160-00-05	DRILL SLIDE ASSEMBLY
21	4	HX-SHCS 0.4375-14x1x1-N	7/16-14 X 1 X 1 SOCKET HEAD CAP SCREW





DRILL SLIDE ASSEMBLY - BOM

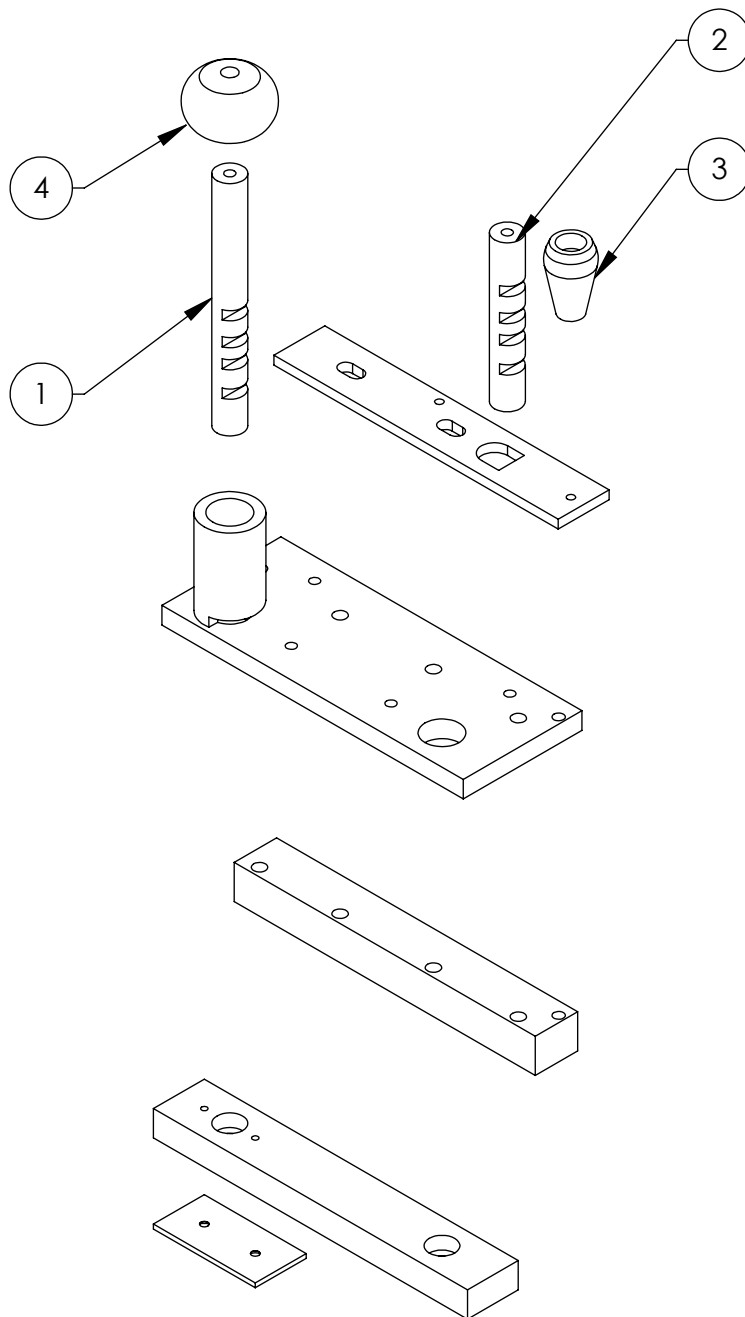
ITEM	QTY	PART NUMBER	DESCRIPTION
1	1	160-00-F	SLIDE BLOCK
2	1	BIMM171.8751D	1.875-D 3POSITION MAGNETIC CYLINDER
3	2	160-00-C	SHAFT
4	4	160-00-D	INNER SLIDE WASHER
5	4	160-00-E	OUTER SLIDE WASHER
6	4	SC112F	3/4 DIA 1 PIECE SPLIT COLLAR





FIXED SILL JAMB WIDTH - BOM

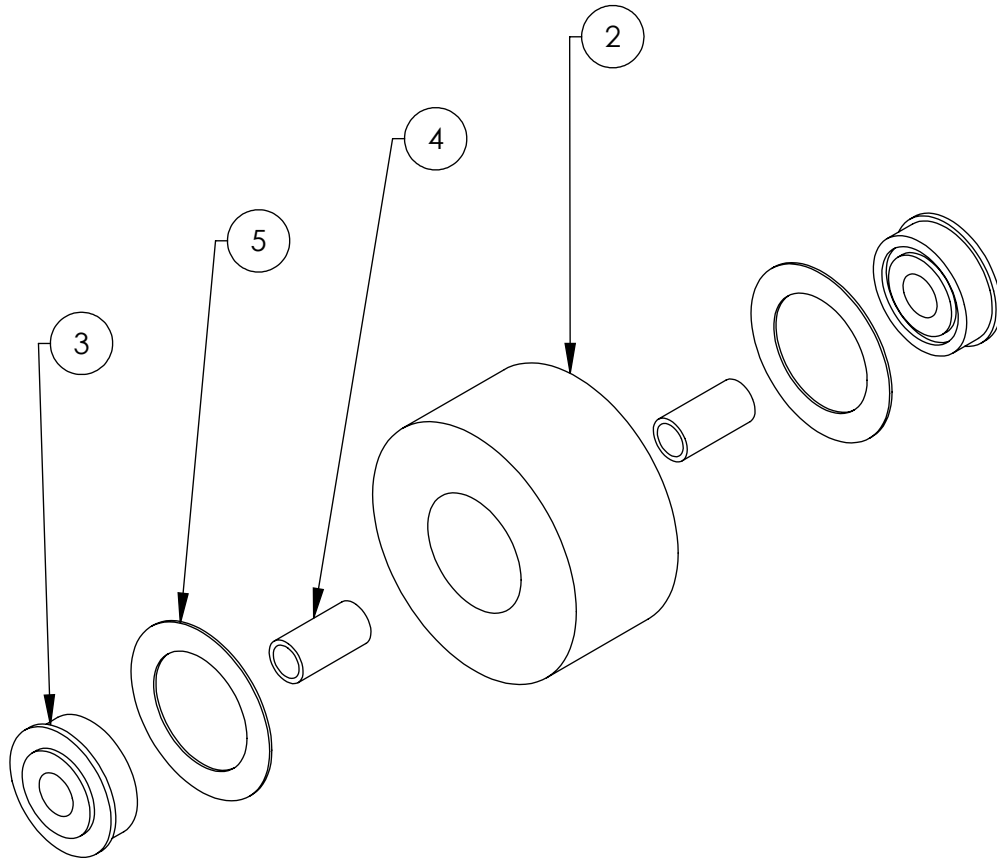
ITEM	QTY	PART NUMBER	DESCRIPTION
1	1	73-00-J7	JAMD WIDTH ADJUST SHAFT
2	1	73-00-J8	JAMD WIDTH ADJUST SHAFT
3	1	KIPD1300	TAPERED KNOB
4	1	KIPD1630	MUSHROOM SHAPED KNOB

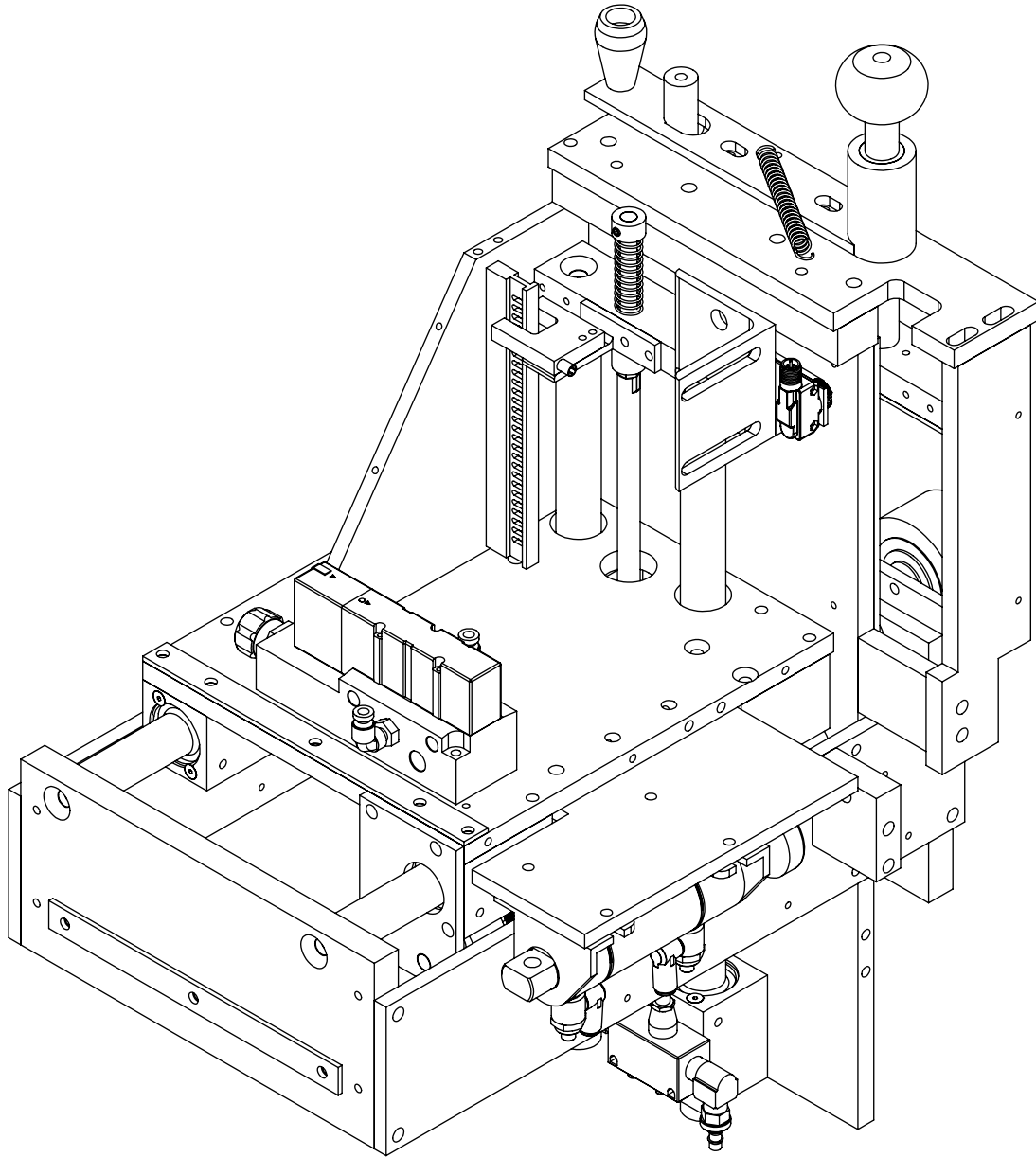




3" DIA. X 1 1/2 WIDE - BOM

ITEM	QTY	PART NUMBER	DESCRIPTION
1	1	WESPT7624	3" DIA. X 1 1/2 WIDE
2	1	WESPT7624	3 DIA X 1 1/2 WIDE
3	2	BAI150050	FLANGED WHEEL BEARING
4	2	1501C	FLANGED BALL BEARING
5	2	MC3088A419	1-3/8 ID X 1-7/8 OD X .025 WASHER

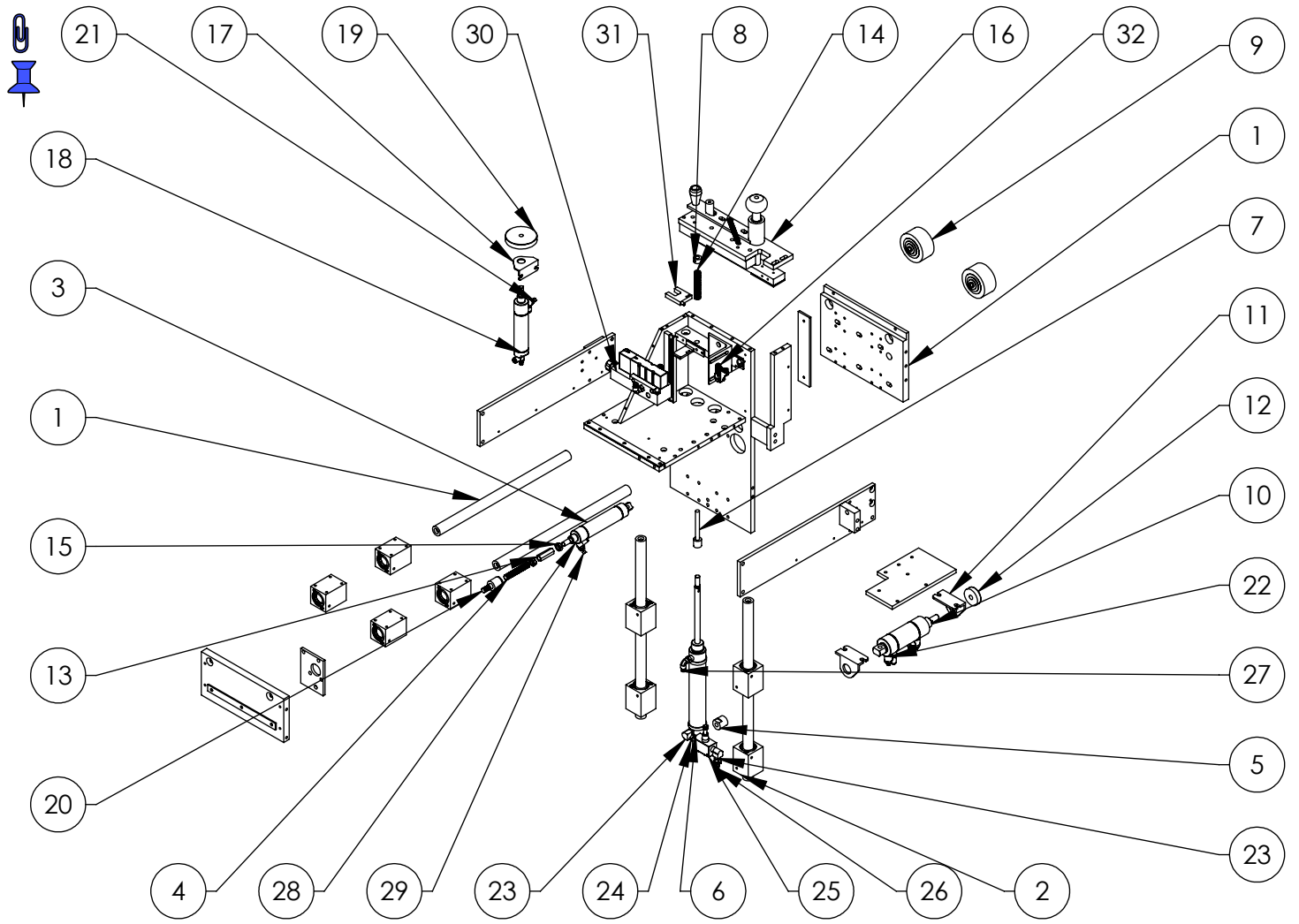






MOVEABLE HEAD END HEAD - BOM

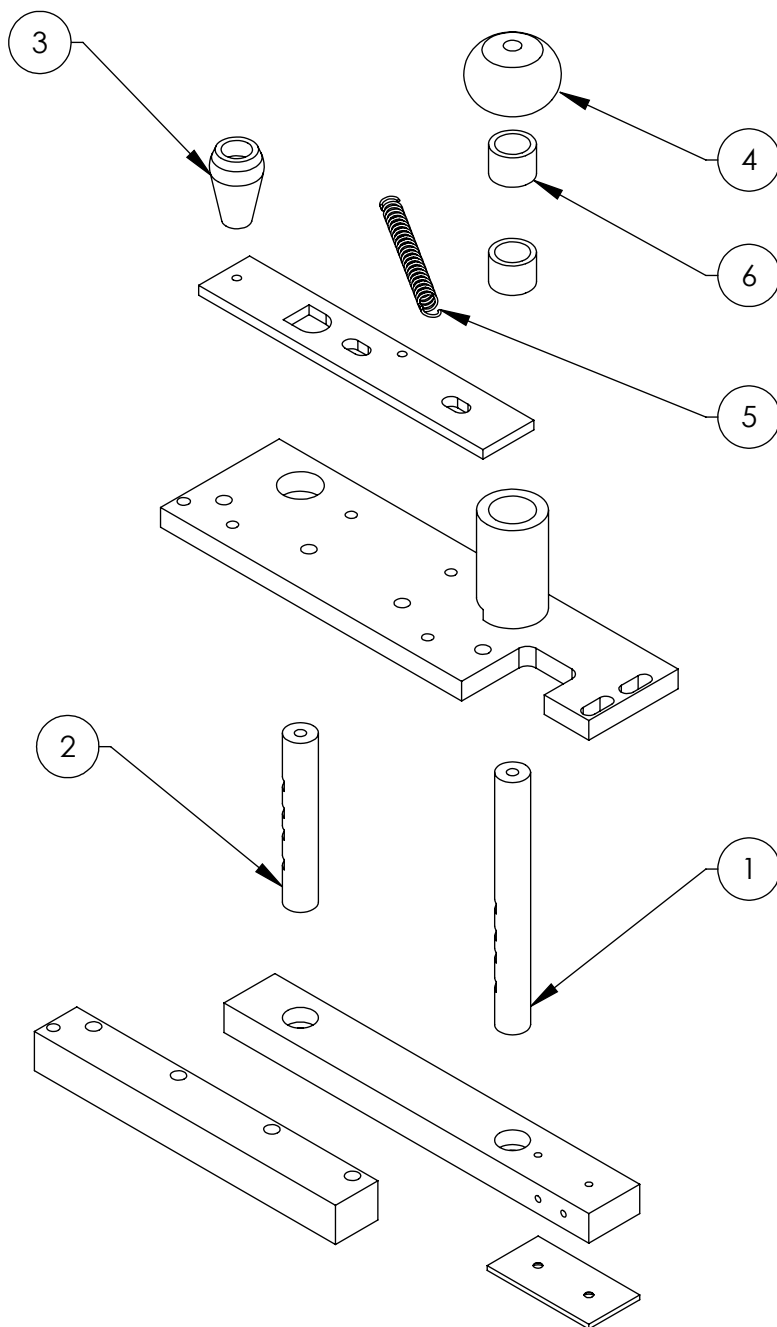
ITEM	QTY	PART NUMBER	DESCRIPTION
1	2	46-00-AG	LINEAR BEARING SHAFT
2	8	KVALBB16A	LINEAR BEARING BLOCK
3	1	BIM123DP	BIMBA 123-DP
4	1	73-00-F32	REDI-ROD CONNECTOR
5	1	46-00-T	HEAD.FMS.1 DIA X 1 1/16.
6	1	BIMH78129-A-6	6STROKE WITH POLY PK SL.
7	1	46-00-AR	126DP SPRING HOLDER
8	1	SC006F	3/8" SHAFT COLLAR
9	2	WESPT7624	3" DIA. X 1 1/2 WIDE
10	1	BIM241DP	1" STROKE CYLINDER
11	1	46-00-FR	700-C.MAIN.HORZ.CYL.
12	1	P280808FD	1 3/4 X 1/2 " X 1/2-20
13	1	CPLR0720175	7/16-20 X 1-3/4 LONG
14	1	70LAN0021	SPRING
15	2	NUTFJ438	JAMB NUT 7/16-20
16	1	73-00-18	MOVEABLE HEAD END JAMB
17	1	BIMD241	BIMBA BRACKET
18	1	BIM123D	BIM CYL 123D 3 DOUBLE
19	1	P481607FD	3" DIA. X 1/2 DELRIN PAD
20	1	PHD437	PISOTN ROD COUPLER
21	2	SMCAS2201F1	SMC FLOW 1/8 NPT
22	2	SMCAS2302F	1/4 FLOW CONTROL UNIVERSAL
23	2	2202P44	90° STREET ELBOW 1/4
24	1	216P04	216P-4 HEX NIPPLE
25	1	SMCAS3002	SMC FLOW 1/4 STRAIGHT
26	1	3018244B	30182-4-4B PUSH-LOK
27	1	P169PL44	90-DEG SWIVEL 1/4-OD
28	1	2202P22	90° STREET ELBOW 1/8
29	1	SMCAS2301F	1/8 FLOW CONTROL UNIVERS
30	1	73-00-204	VALVE BANK ASSY FOR HEAD
31	1	GLS20RBN	STM FORK SENSOR 20MM NPN
32	1	QS18VN6FF50Q8-M12	RIGHT ANGLE





MOVEABLE HEAD END JAMB - BOM

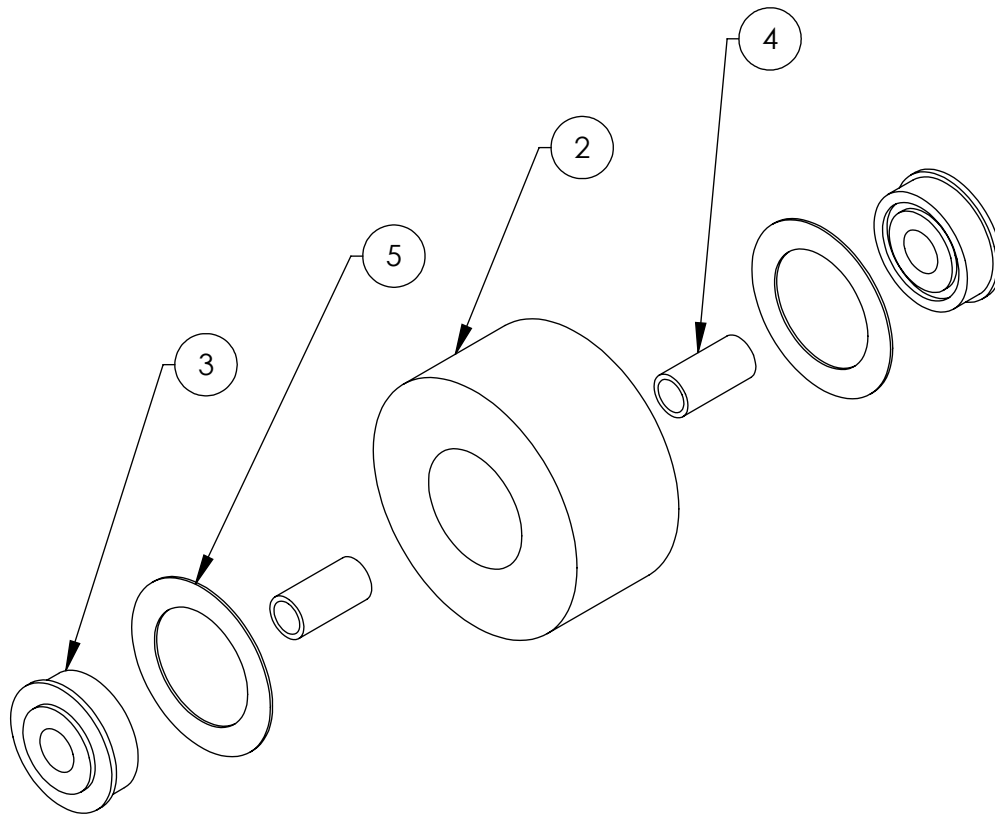
ITEM	QTY	PART NUMBER	DESCRIPTION
1	1	73-00-J7	JAMD WIDTH ADJUST SHAFT
2	1	73-00-J8	JAMD WIDTH ADJUST SHAFT
3	1	KIPD1300	TAPERED KNOB
4	1	KIPD1630	MUSHROOM SHAPED KNOB
5	1	140316H	SPG 1-5/16-OD 12" LG
6	2	SS243212	3/4 ID X 1 OD X 3/4 LG

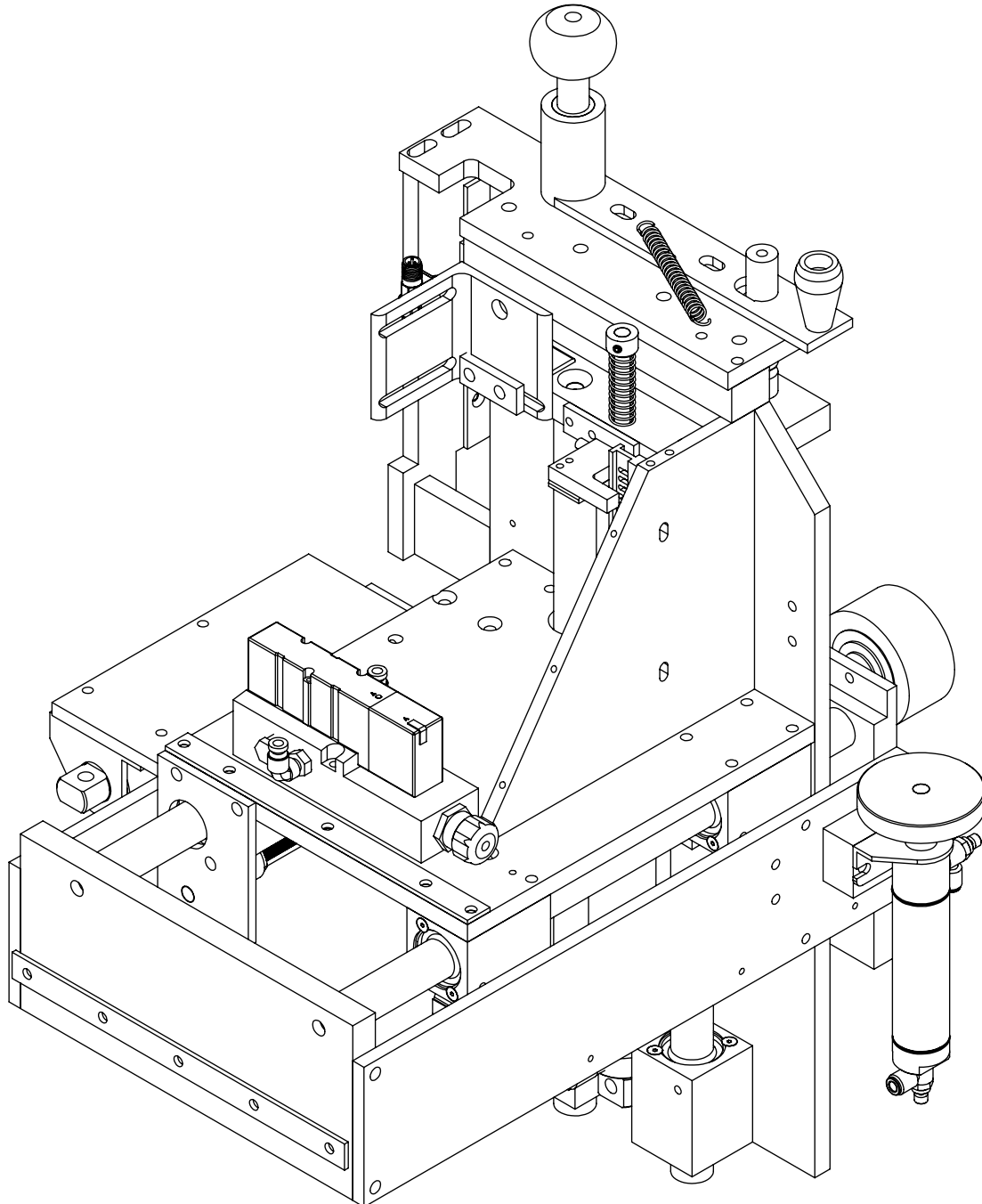




3" DIA. X 1 1/2 WIDE - BOM

ITEM	QTY	PART NUMBER	DESCRIPTION
1	1	WESPT7624	3" DIA. X 1 1/2 WIDE
2	1	WESPT7624	3 DIA X 1 1/2 WIDE
3	2	BA1150050	FLANGED WHEEL BEARING
4	2	1501C	FLANGED BALL BEARING
5	2	MC3088A419	1-3/8 ID X 1-7/8 OD X .025 WASHER

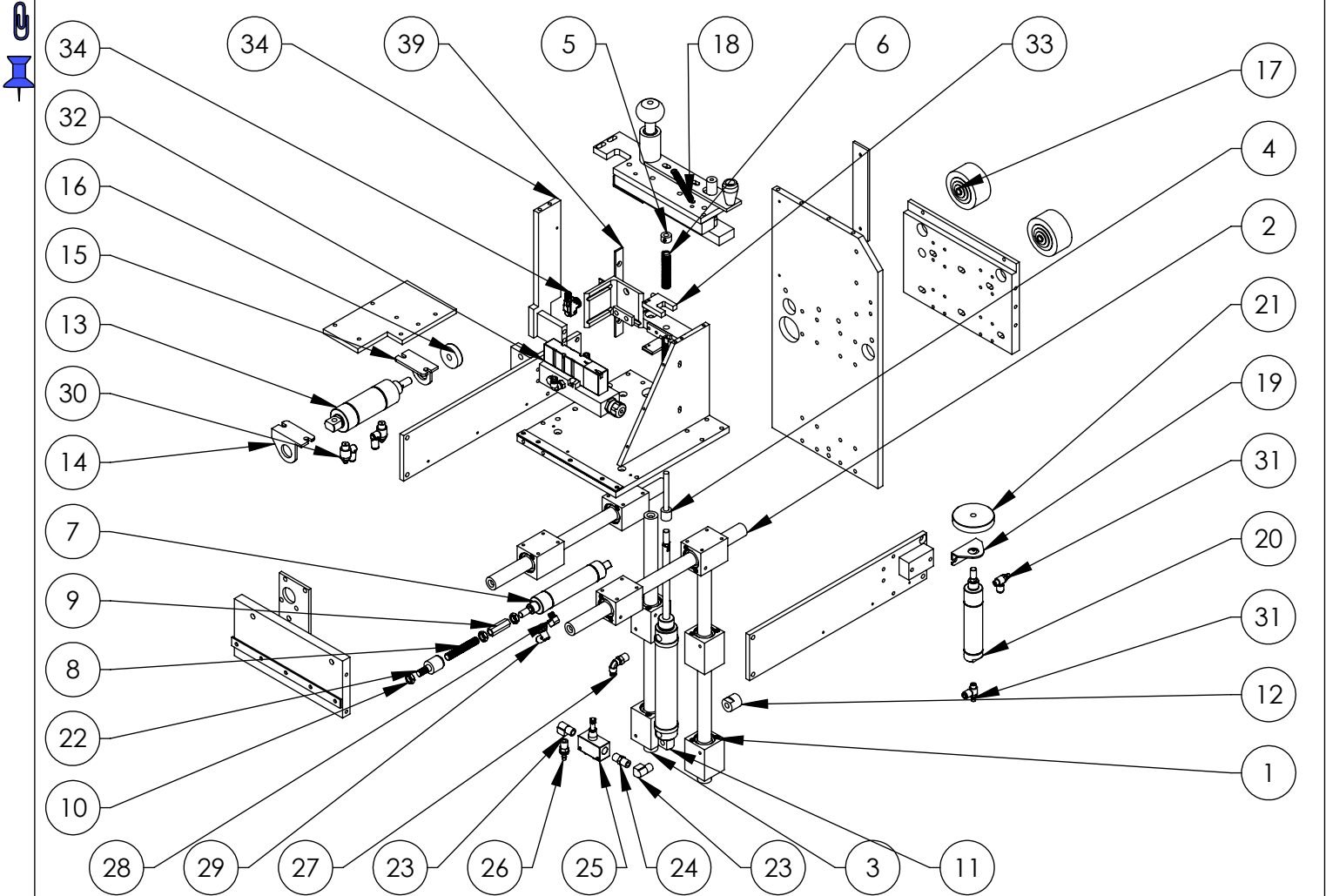






FIXED HEAD END - HEAD - BOM

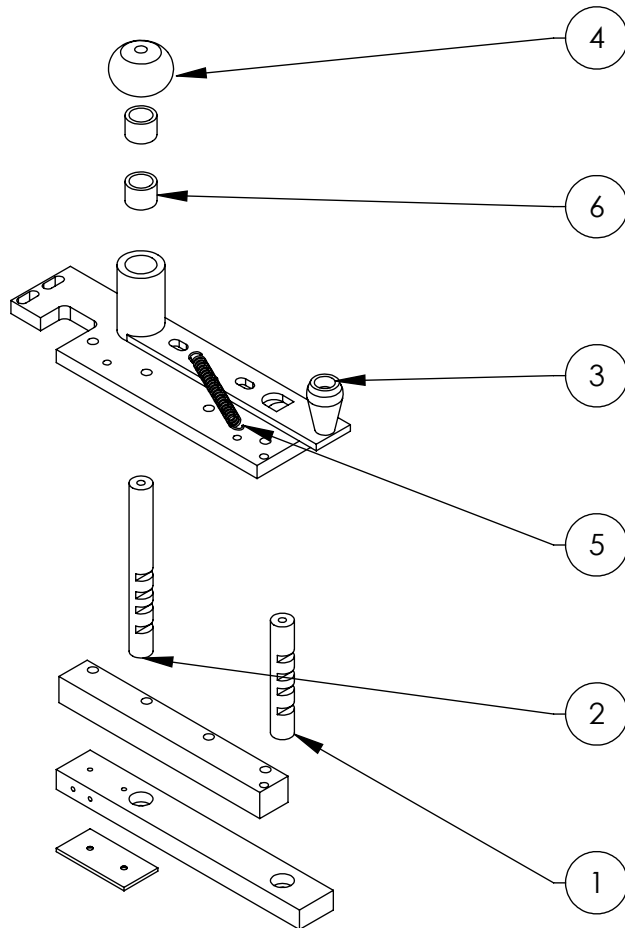
ITEM	QTY	PART NUMBER	DESCRIPTION
1	8	KVALBB16A	LINEAR BEARING BLOCK
2	2	46-00-AG	LINEAR BEARING SHAFT
3	2	46-00-AH	LINEAR BEARING SHAFT
4	1	46-00-AR	126DP SPRING HOLDER
5	1	SC006F	3/8" SHAFT COLLAR
6	1	70LAN0021	SPRING
7	1	BIM123DP	BIMBA 123-DP
8	1	73-00-F32	REDI-ROD CONNECTOR
9	1	CPLR0720175	7/16-20 X 1-3/4 LONG
10	3	NUTFJ438	JAMB NUT 7/16-20
11	1	BIMH78129-A-6	6STROKE WITH POLY PK SL.
12	1	46-00-T	HEAD.FMS.1 DIA X 1 1/16.
13	1	BIM241DP	1" STROKE CYLINDER
14	1	46-00-FR	700-C.MAIN.HORZ. CYL.
15	1	46-00-FL	700-C.MAIN.HORZ. CYL.
16	1	P280808FD	1 3/4 X 1/2 " X 1/2-20
17	2	WESPT1624	3" DIA. X 1 1/2 WIDE
18	1	73-00-19	FIXED HEAD END JAMB
19	1	BIMD241	BIMBA BRACKET
20	1	BIM123D	BIM CYL 123D 3 DOUBLE
21	1	P481607FD	3" DIA. X 1/2 DELRIN PAD
22	1	PHD437	PISOTN ROD COUPLER
23	2	2202P44	90° STREET ELBOW 1/4
24	1	216P04	216P-4 HEX NIPPLE
25	1	SMCAS3002	SMC FLOW 1/4 STRAIGHT
26	1	3018244B	30182-4-4B PUSH-LOK
27	1	P169PL44	90-DEG SWIVEL 1/4-OD
28	1	2202P22	90° STREET ELBOW 1/8
29	1	SMCAS2301F	1/8 FLOW CONTROL UNIVERS
30	2	SMCAS2302F	1/4 FLOW CONTROL UNIVERSAL
31	2	SMCAS2201F1	SMC FLOW 1/8 NPT
32	1	73-00-204	VALVE BANK ASSY FOR HEAD
33	1	GLS20RBN	STM FORK SENSOR 20MM NPN
34	1	QS18VN6FF50Q8-M12	RIGHT ANGLE





FIXED HEAD END JAMB - BOM

ITEM	QTY	PART NUMBER	DESCRIPTION
1	1	73-00-J8	JAMD WIDTH ADJUST SHAFT
2	1	73-00-J7	JAMD WIDTH ADJUST SHAFT
3	1	KIPD1300	TAPERED KNOB
4	1	KIPD1630	MUSHROOM SHAPED KNOB
5	1	140316H	SPG 1-5/16-OD 12" LG
6	2	SS243212	3/4 ID X 1 OD X 3/4 LG





3" DIA. X 1 1/2 WIDE - BOM

ITEM	QTY	PART NUMBER	DESCRIPTION
1	1	WESPT7624	3" DIA. X 1 1/2 WIDE
2	1	WESPT7624	3 DIA X 1 1/2 WIDE
3	2	BAI150050	FLANGED WHEEL BEARING
4	2	1501C	FLANGED BALL BEARING
5	2	MC3088A419	1-3/8 ID X 1-7/8 OD X .025 WASHER

